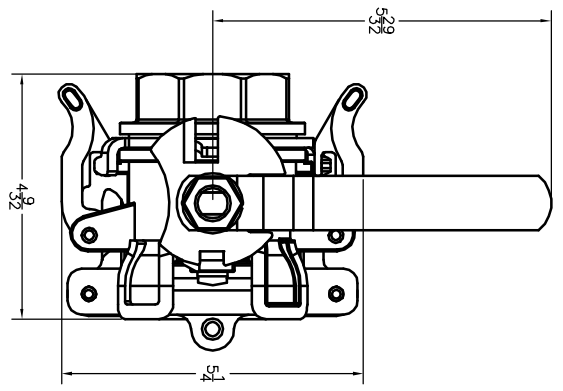
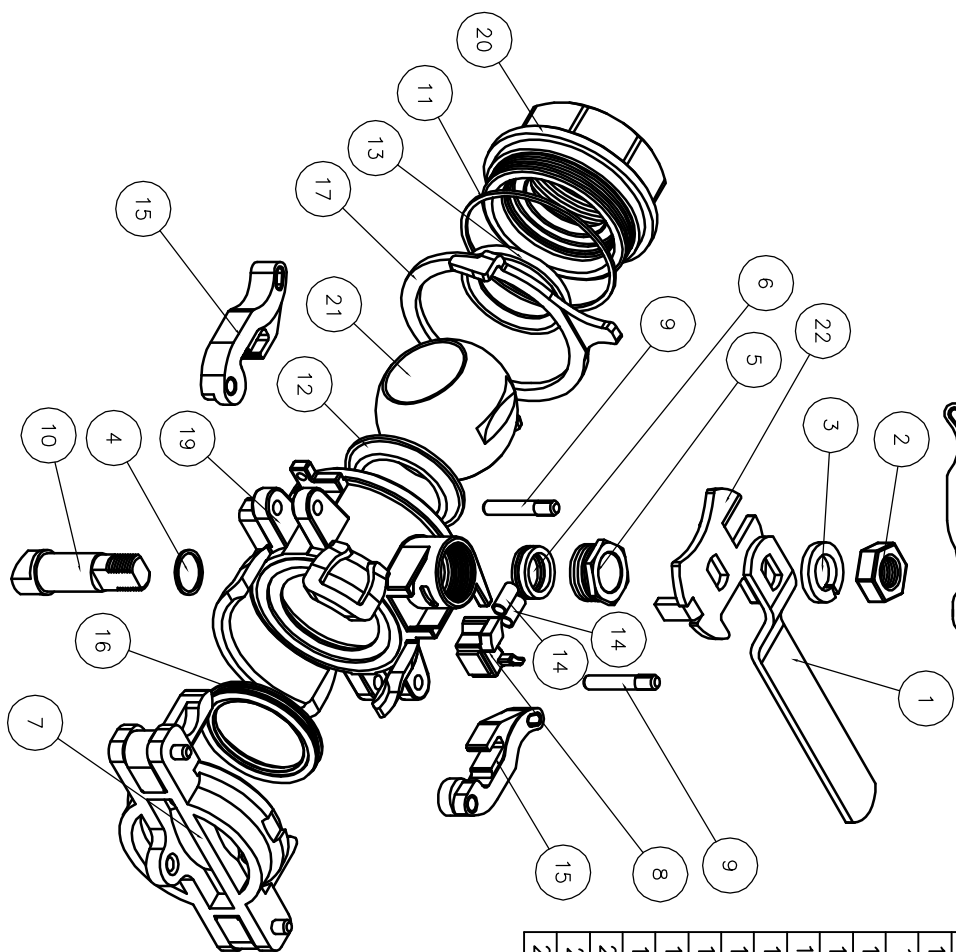


Handle in Open Position



Handle in Closed Position



Parts List		
Item Qty	Part No	Description
1	DM15153SS	2" SS Drymate Handle
2	VSS15020	5/8"-18 Jam Nut
3	VSS15021	5/8" Lock Washer
4	VSS15060	Thrust Bearing
5	VSS15159	Packing Nut
6	VSS15160	Stem Packing
7	DM200APL	2" Dust Cap
8	DM15288SS	Button
9	2 200P	Pin
10	DM15151SS	2" SS DM Stem
11	DM15204SS	Body Shim
12	DB20258	2" DM Seat
13	V20258	2" Valve Sect
14	DB20281	2" DM Spring
15	DM200KX	2" DM Cam Arm
16	DM20294A	FKM Face Seal
17	DM15289SS	Yoke
18	V20207A	Lanyard
19	DM15154FSS	Female Body
20	DM15256FSS	Female Endplate
21	DM15255FSS	Female Ball
22	DM15154SS	Handle Interlock

THIS DRAWING AND ALL INFORMATION CONTAINED THEREON ARE THE EXCLUSIVE PROPERTY OF BANUO CORPORATION. NO REPRODUCTION OR TRANSMISSION IN ANY FORM OR BY ANY MEANS IS PERMITTED WITHOUT THE WRITTEN CONSENT OF BANUO CORPORATION.



BANUO CORPORATION
 150 BANUO DR. • CRAWFORDVILLE, IN 47833

PART NO. DM200DSS
 TITLE 2" SS Female Drymate