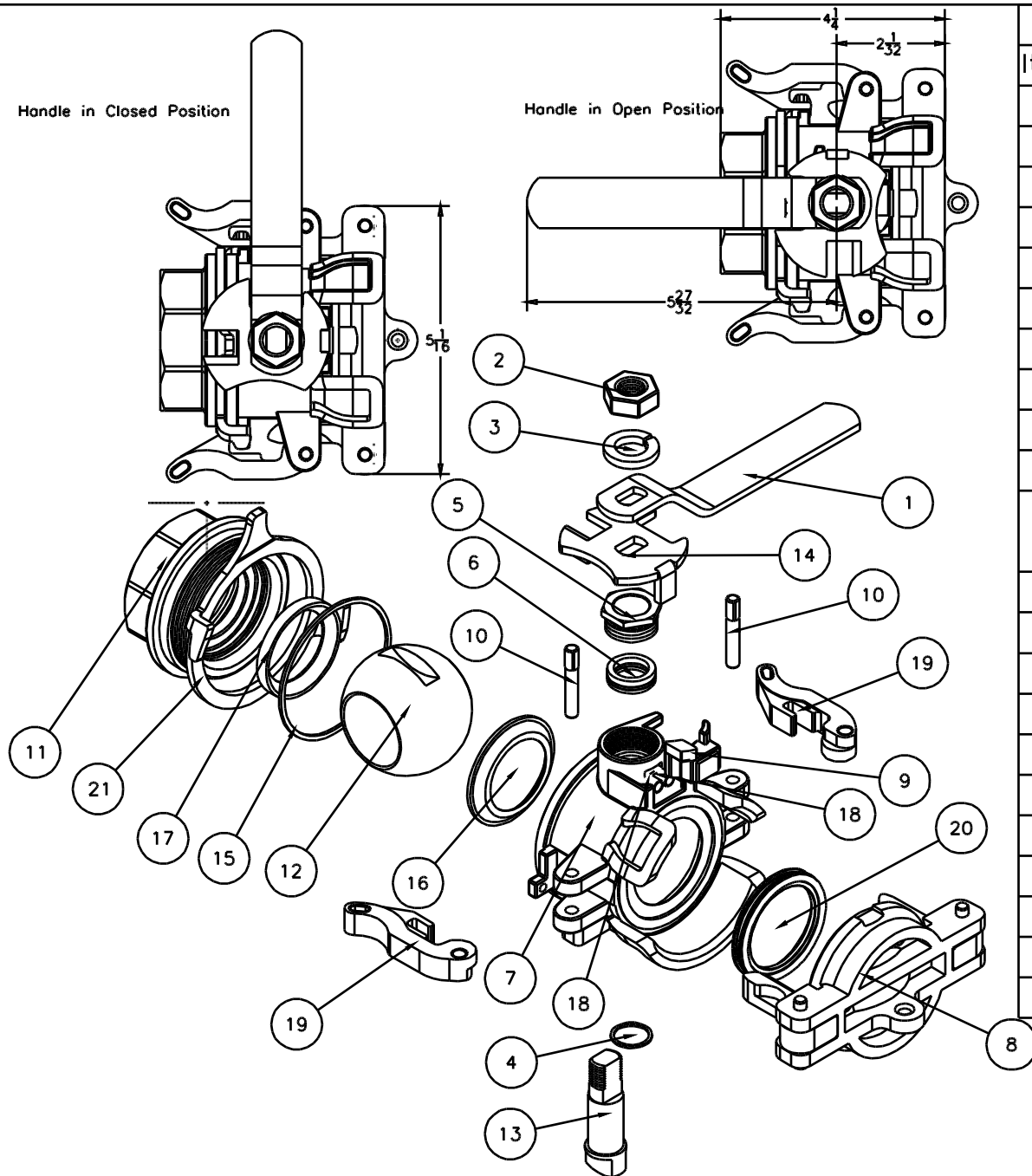


Handle in Closed Position

Handle in Open Position



Parts List

Item	Qty	Part No	Description
1	1	DM15153SS	2" SS Drymate Handle
2	1	VSS15020	5/8"-18 Jam Nut
3	1	VSS15021	5/8" Lock Washer
4	1	VSS15060	Thrust Bearing
5	1	VSS15159	Packing Nut
6	1	VSS15160	Stem Packing
7	1	DM15154FSS	2" SS Drymate Body
8	1	DM200APL	2" Dust Cap
9	1	DM15288SS	Button
10	2	DB200PSS	Pin
11	1	DM15257FBSS	1 1/2" Female SS Endplate
12	1	DM15255FSS	2" SS DM Ball
13	1	DM15151SS	2" SS DM Stem
14	1	DM15154SS	2" Interlock Cam
15	1	DM15204SS	Body Shim
16	1	DB20258	2" DM Seat
17	1	V20258	2" Valve Seat
18	2	DB20281	2" DM Spring
19	2	DM200KX	2" DM Cam Arm
20	1	DM20295A	EPDM Face Seal
21	1	DM15289SS	Yoke
22	1	V20207A	Lanyard



BANJO CORPORATION
150 BANJO DR. • CRAWFORDSVILLE, IN 47933

PART NO. DM1500BSSE

TITLE
1 1/2" BSP SS Female Drymate EPDM

THIS DRAWING AND ALL INFORMATION CONTAINED THEREON ARE THE EXCLUSIVE PROPERTY OF BANJO CORPORATION. UNLESS SPECIFICALLY NOTED, THIS DRAWING AND ITEMS SHOWN ON THIS DRAWING ARE SUBJECT TO CHANGE AT ANY TIME.