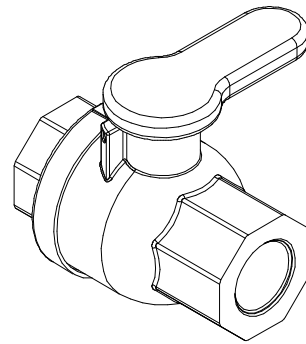
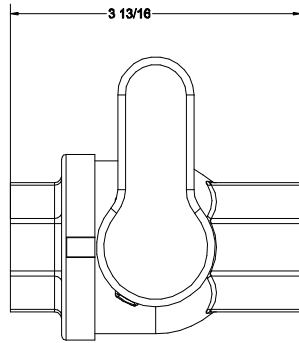
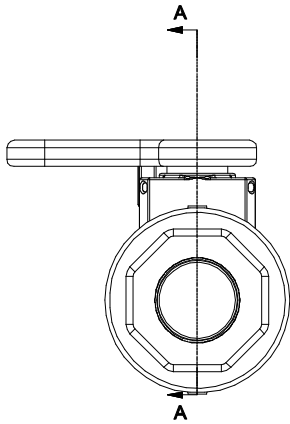
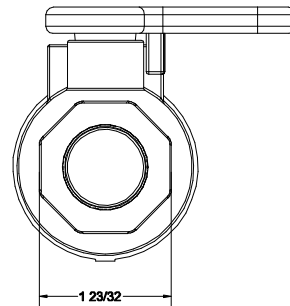
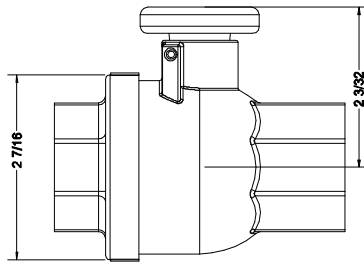
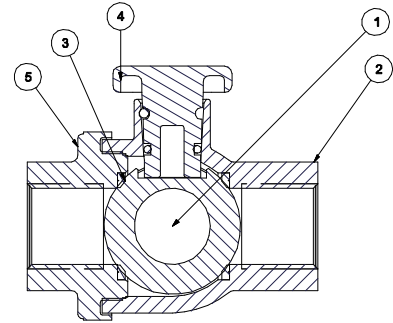


Parts List			
ITEM	QTY	PART NUMBER	DESCRIPTION
1	1	WS10255	1" Spinweld Ball, Machined
2	1	WS10254B	1" DIN Spinweld Body
3	2	WS10258	1" Spinweld Valve Seat
4	1	WS10153	1" Spinweld Valve Handle
5	1	WSFT10257B	1" DIN Spinweld Valve Endplate
8	1	V10163E	EPDM Stem Oring
9	1	WS20002	Pin



SECTION A-A
SCALE 1 : 1



DRAWN	MEG	8/7/2004	Banjo Corporation	
CHECKED			TITLE	
QA			1" DIN Spinweld valve	
MFG			SIZE	DWG NO
APPROVED			C	WV100FPB
			SCALE	REV
				0
			SHEET	1 OF 1