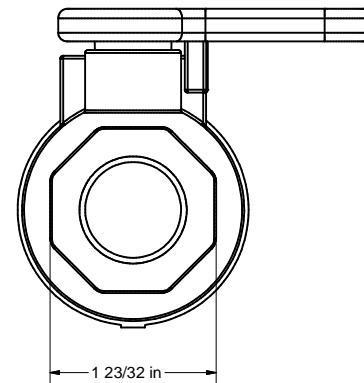
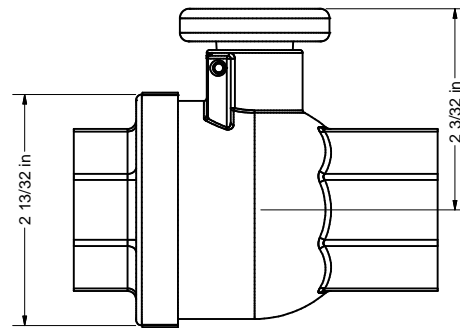
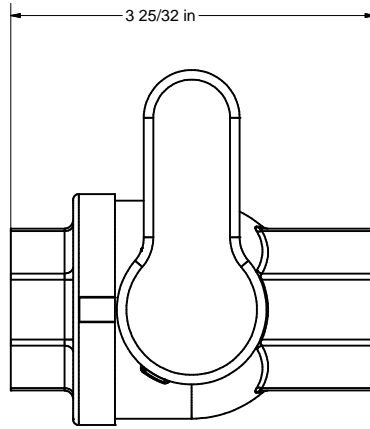
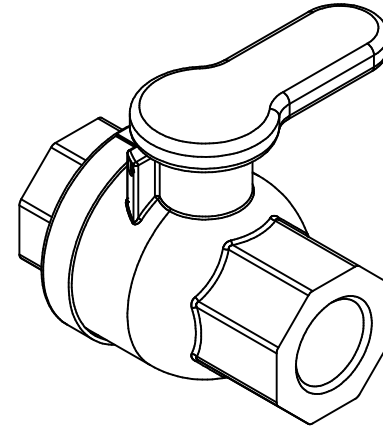
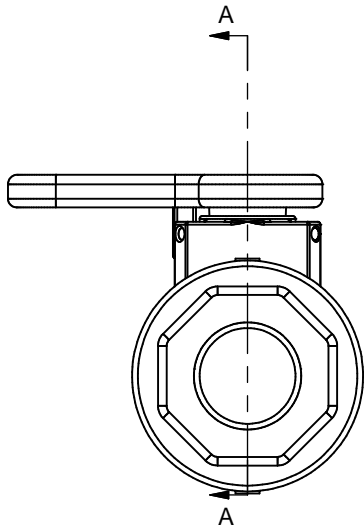
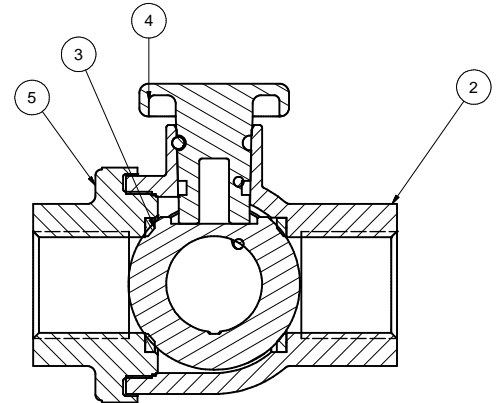


Parts List			
ITEM	QTY	PART NUMBER	DESCRIPTION
2	1	WS10254	1" NPT Spinweld Body
3	2	WS10258	1" Valve Seat
4	1	WS10153	1" Spinweld Valve Handle
5	1	wst10257	1" NPT Spinweld Valve Endplate
8	1	V10163E	EPDM Stem Oring
9	1	WS20002	RETAINING PIN
10	1	WS10255	1" MACH. BALL



SECTION A-A
SCALE 1 : 1



DRAWN	MEG	6/7/2004	Banjo Corporation	
CHECKED			TITLE	
QA			1" NPT Spinweld valve	
MFG			SIZE	DWG NO
APPROVED			C	WV100FP
			SCALE	REV
				0
			SHEET	1 OF 1
				1