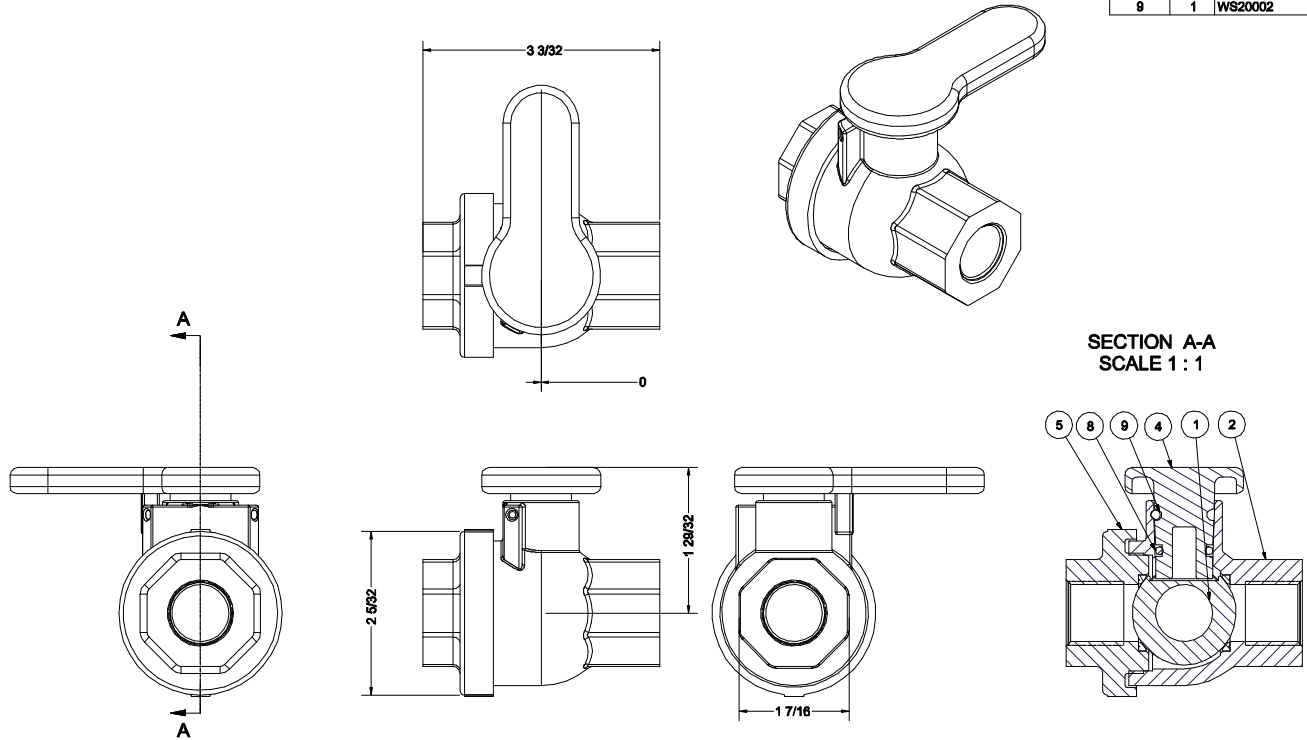


Parts List			
ITEM	QTY	PART NUMBER	DESCRIPTION
1	1	WS07255	3/4" Spinweld ball
2	1	WS07254B	1/2" DIN Spin Weld Body
3	2	WS07258	3/4" Spinweld Valve Seat
4	1	WS10153	1" Spinweld Valve Handle
5	1	WSFT07258B	3/4" DIN Spinweld Endplate
8	1	V10163E	EPDM Stem O-ring
9	1	WS20002	Pin



DRAWN	MEG	8/7/2004	Banjo Corporation	
CHECKED			TITLE	
QA			3/4" DIN Spinweld valve	
MFG			SIZE	DWG NO
APPROVED			C	WV075FPB
			SCALE	REV
				0
			SHEET	1 OF 1