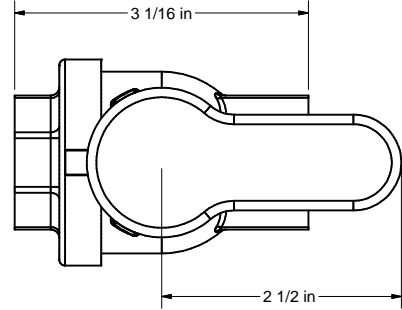
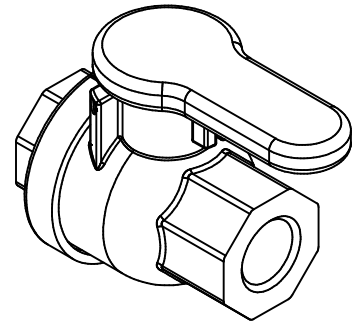
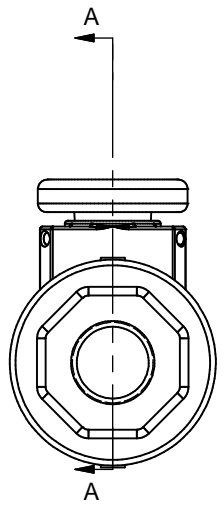
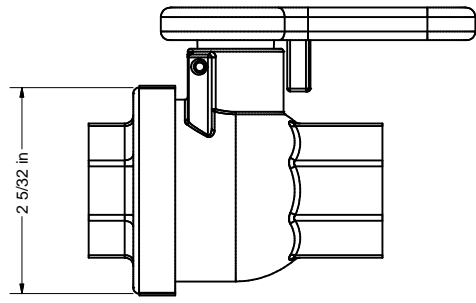
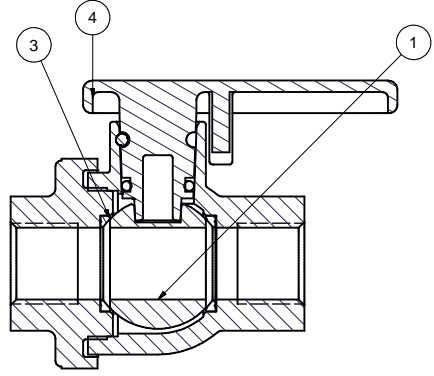


Parts List			
ITEM	QTY	PART NUMBER	DESCRIPTION
1	1	WS07255	3/4" Spinweld ball
3	2	WS07258	3/4" Spinweld Valve Seat
4	1	WS10153	1" Spinweld Valve Handle
5	1	wsft05256	1/2" NPT Weldvalve Endplate
9	1	V10163E	EPDM Stem Oring
10	1	WS20002	Pin
11	1	ws05254	1/2" NPT Weld Body



SECTION A-A
SCALE 1 : 1



DRAWN	MEG	6/7/2004	Banjo Corporation	
CHECKED			TITLE	
QA			1/2" NPT thread spinweld valve	
MFG			SIZE	DWG NO
APPROVED			C	WV050FP
			SCALE	REV
				0
			SHEET	1 OF 1
			1	