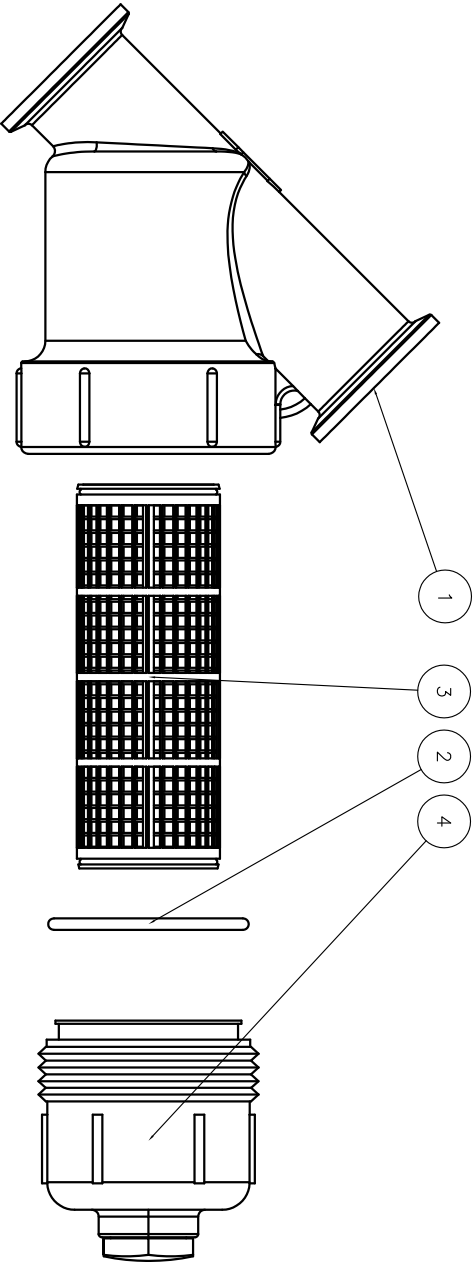
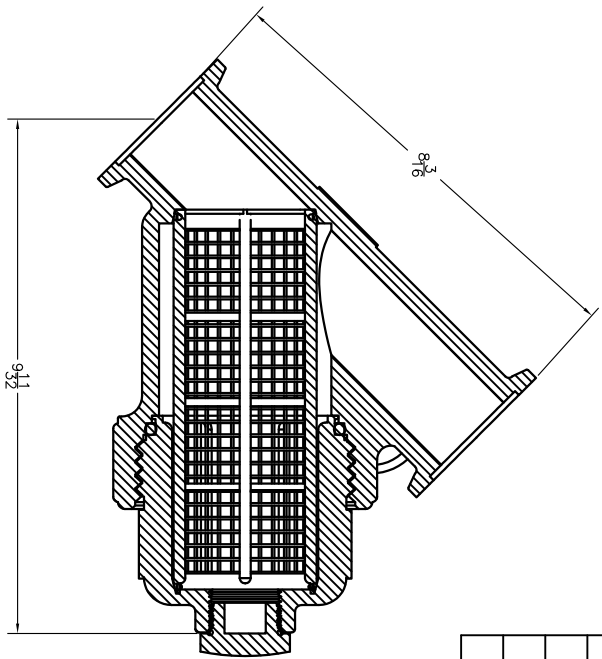
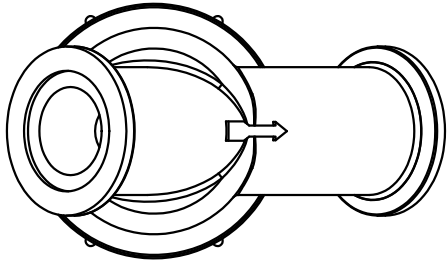


Parts List

Item Qty	Name	DESCRIPTION
1	MLS200B	2" LS BODY
2	LS150G	O'RING
3	LS280	SCREEN
4	LS150C	CAP



THIS DRAWING AND ALL INFORMATION CONTAINED HEREIN ARE THE EXCLUSIVE PROPERTY OF BANDO CORPORATION. UNLESS SPECIFICALLY NOTED, THIS DRAWING AND ALL INFORMATION ARE SUBJECT TO CHANGE WITHOUT NOTICE.



BANDO
 LIQUID HANDLING PRODUCTS
 BANDO CORPORATION
 150 BANDO DR. • CRAWFORDVILLE, IN 47933

PART NO. LS200-80
 TITLE 2" LINE STRAINER