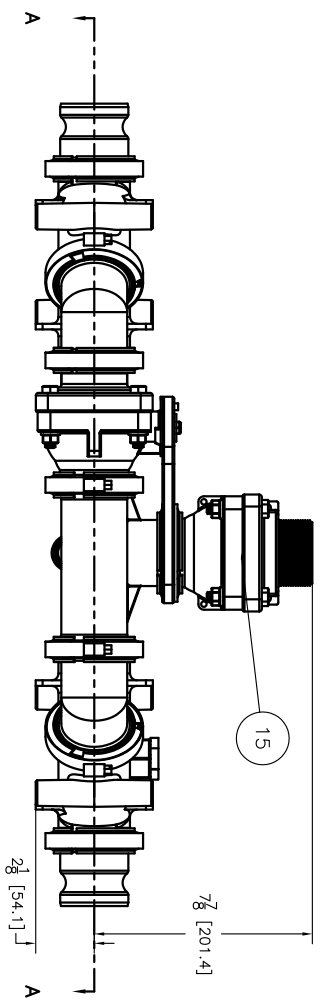
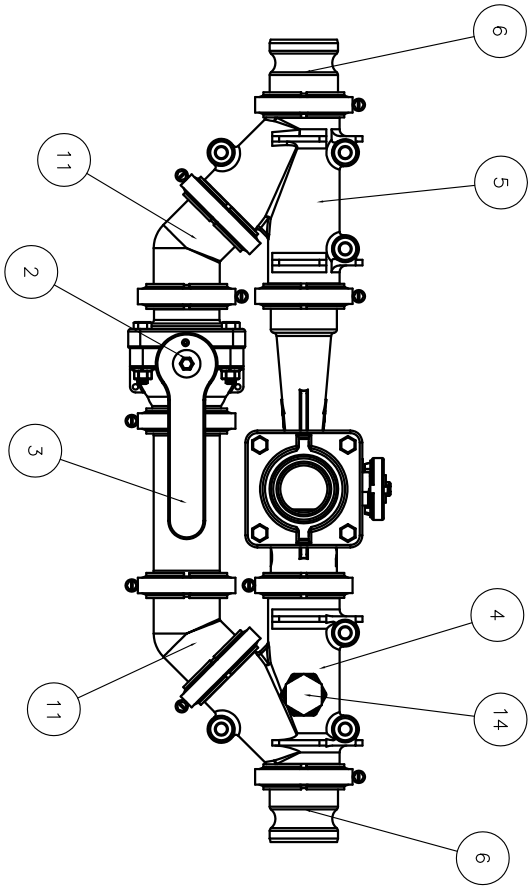


SECTION A-A

Parts List	
Item Qty	Part Number Description
1 10	FC220 2" FP Flange Clamp
2 1	MWS220CF 2" FP Stubby Valve
3 1	M220CPG6 2" FP Manifold Coupling 6"
4 1	M220YG45 2" FP Wye w/ Gage Port
5 1	M220Y45 2" FP Wye
6 2	M220A 2" FP Manifold x Male Profile
9 10	200G 2" Coupling Gasket EPDM
11 2	M220CPG45 2" FP Coupling 45°
14 1	PLUG075 3/4" Pipe Plug
15 1	MWSMT220FP 2" FP Manifold x MPT Valve
16 1	MHV220A 2" Inductor



Kit contains all items shown.

Assembly is Required.



**BANNO**  
LIQUID HANDLING PRODUCTS  
CORPORATION  
150 BANNO DR. • CRAWFORDVILLE, IN 47933

PART NO. MIS220AAK  
TITLE Inductor Assembly "A" x "A" Kit

THIS DRAWING AND ALL INFORMATION CONTAINED THEREIN ARE THE EXCLUSIVE PROPERTY OF BANNO CORPORATION. ALL RIGHTS ARE RESERVED. THIS DRAWING AND ALL INFORMATION ARE SUBJECT TO CHANGE WITHOUT NOTICE.