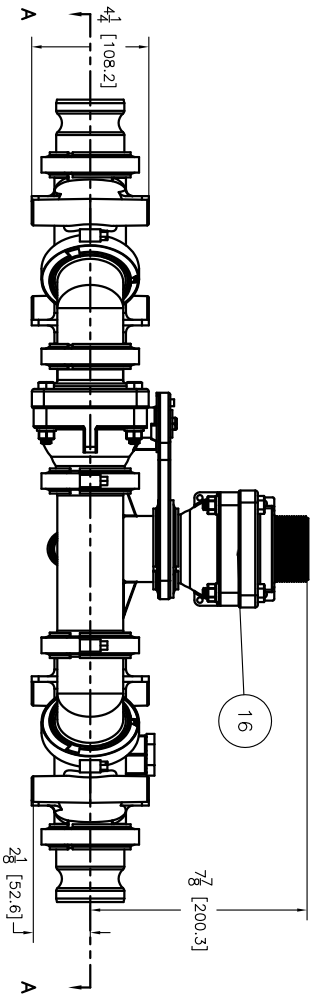
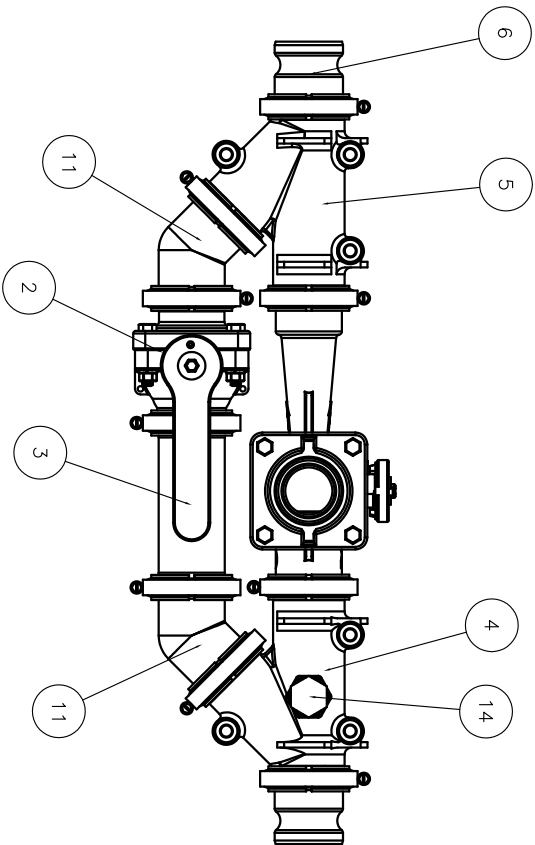
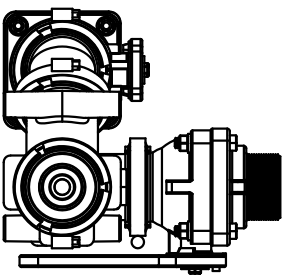


Parts List		
Item Qty	Part Number	Description
1	10 FC220	2" FP Flange Clamp
2	1 WVS220CF	2" FP Stubby Valve
3	1 M220CPG6	2" FP Manifold Coupling 6"
4	1 M220YG45	2" FP Wye w/ Gage Port
5	1 M220Y45	2" FP Wye
6	2 M220A	2" FP Manifold x Male Profile
9	10 200G	2" Coupling Gasket EPDM
11	2 M220CPG45	2" FP Coupling 45°
14	1 PLUG075	3/4" Pipe Plug
15	1 MHV220A	2" Inductor
16	1 WVSMT220FP	2" FP Manifold x MPT Valve



Assembled As shown,
 except following:
 MVSMT220FP
 M220A
 PLUG075



THIS DRAWING AND ALL INFORMATION CONTAINED THEREON ARE THE EXCLUSIVE PROPERTY OF BANUO CORPORATION. UNLESS SPECIFICALLY NOTED, THIS DRAWING AND ALL INFORMATION ARE SUBJECT TO CHANGE WITHOUT NOTICE.



BANUO
 LIQUID HANDLING PRODUCTS

BANUO CORPORATION
 150 BANUO DR. • CRAWFORDSVILLE, IN 47933

PART NO. MIS220AA

TITLE Inductor Assembly "A" x "A"