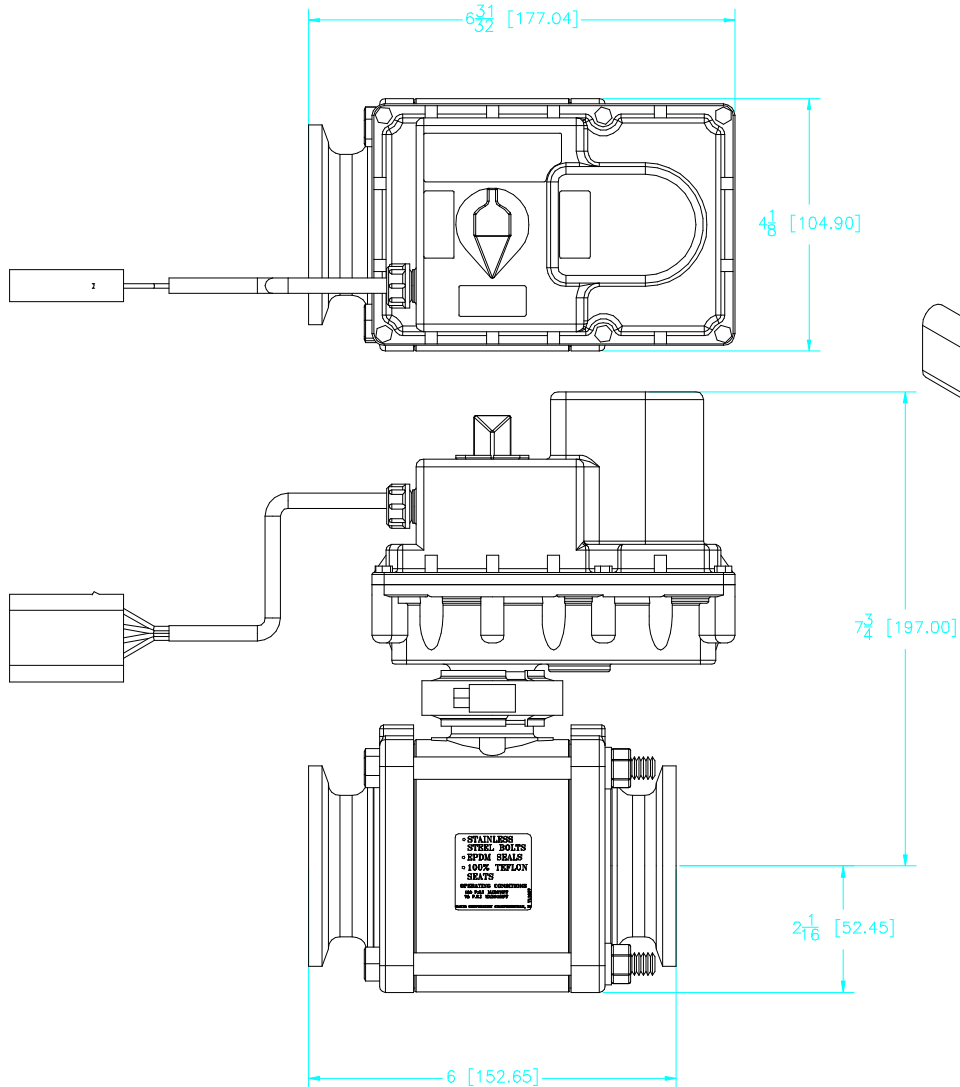


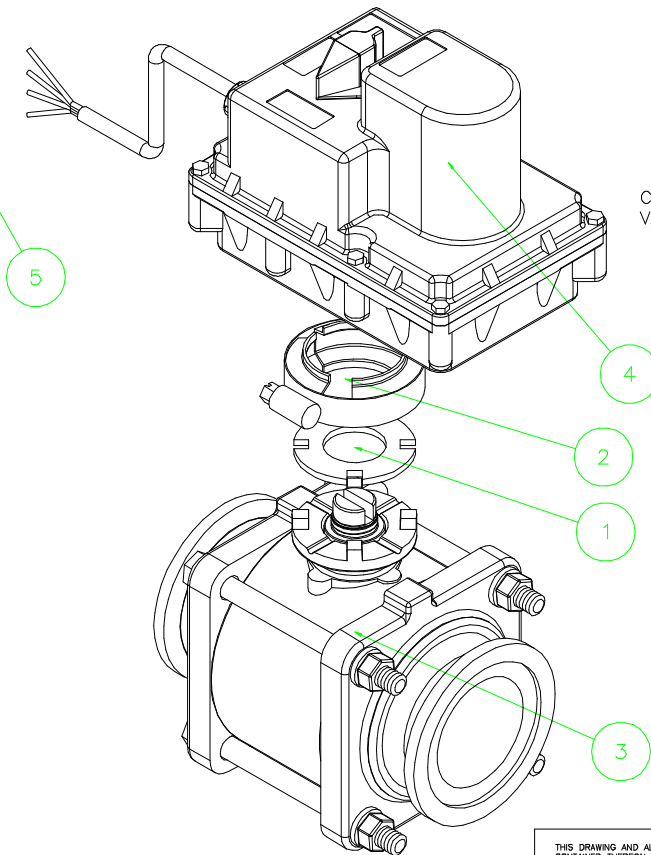
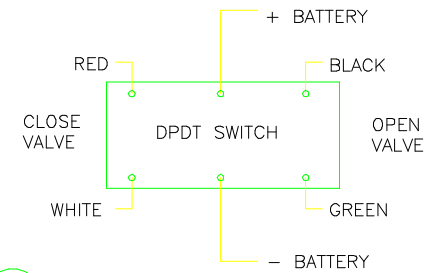
**Connector Pin Out:**

- A = Red**
- B = Black**
- C = White**
- D = Green**



Parts List			
Item	Qty	Part Number	Description
1	1	MVE004	Filter
2	1	FC100	1" Flange Clamp
3	1	MEV220XR1	2" FP Manifold Valve Only
4	1	EVR4100	4 Sec, 4 Wire Reg Motor Assy
6	4	VE001	Seal 39000/12015323
7	4	VE002	Terminal 30034/12089040
5	1	VE004	Shroud 38046/12010974

**WIRING DIAGRAM**



• STAINLESS  
STEEL BOLTS  
• EPDM SEALS  
• 100% TEFLON  
SEATS

THIS DRAWING AND ALL INFORMATION  
CONTAINED THEREON ARE THE EXCLUSIVE  
PROPERTY OF BANJO CORPORATION.  
UNLESS SPECIFICALLY NOTED, THIS  
DRAWING AND ITEMS SHOWN ON THIS  
DRAWING ARE SUBJECT TO CHANGE  
AT ANY TIME.

**BANJO**  
LIQUID HANDLING PRODUCTS

BANJO CORPORATION  
150 BANJO DR. • CRAWFORDSVILLE, IN 47933

PART NO. MEVR2201CF

TITLE  
2" FP Manifold Electric Valve 4 Sec, 4 Wire, Reg w/ Cnctr