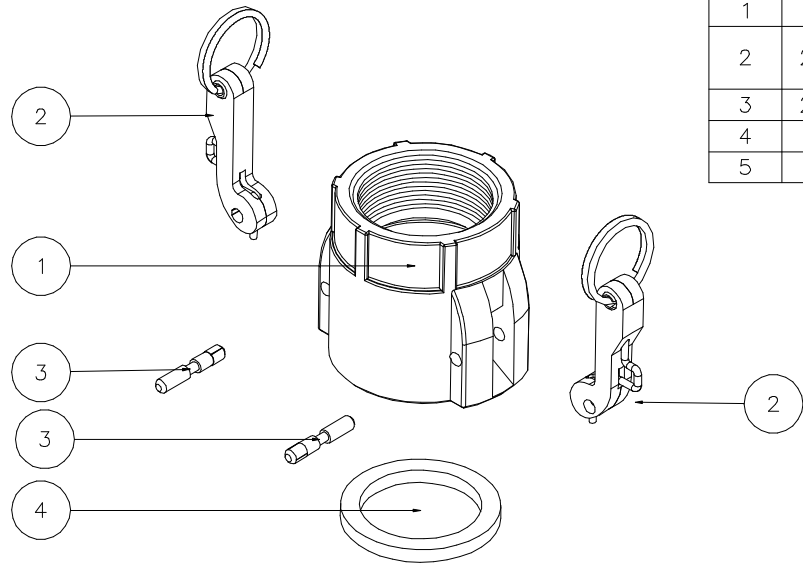
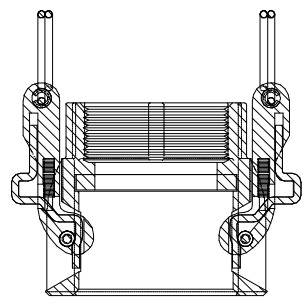


Parts list				
Item	Cn.	Description	Note	Material
1	1	200XMD	UNASSBLD "D" CPLG	POLYPROPYLENE
2	2	200KL	LOCKING CAM ARM ASSEMBLY	316SS
3	2	200PKL	LOCKING CAM ARM PIN	316SS
4	1	200G	COUPLING GASKET	EPDM
5	1	150(200)D	DECAL	

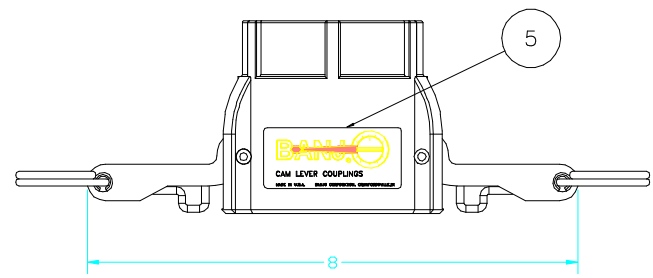
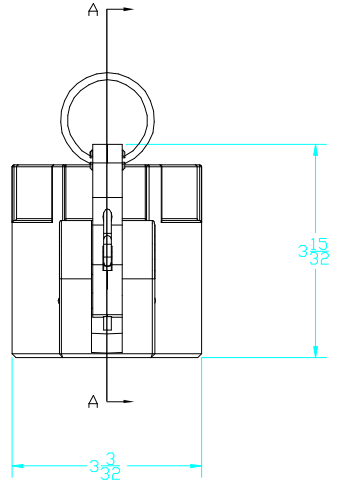
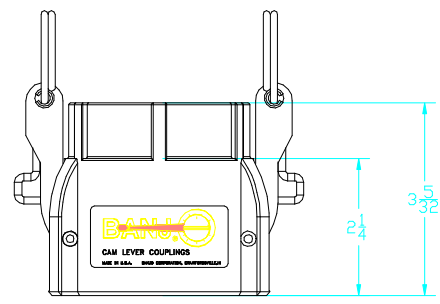


WARNING:
 LOCKING CAM ARM LEVER IS NOT INTENDED
 TO BE USED AS A SECURITY DEVICE OR TO
 PREVENT UNAUTHORIZED OPENING OF
 COUPLING ASSEMBLY

PATENT PENDING



SECTION A-A



BANJO CORPORATION
 150 BANJO DR. * CRAWFORDSVILLE, IN 47933

PART NO. L200D

TITLE
 2" Female Coulg x 2" FPT w/ Locking Arms

THIS DRAWING AND ALL INFORMATION
 CONTAINED THEREIN ARE THE EXCLUSIVE
 PROPERTY OF BANJO CORPORATION.
 UNLESS SPECIFICALLY NOTED, THIS
 DRAWING AND ITEMS SHOWN ON THIS
 DRAWING ARE SUBJECT TO CHANGE
 AT ANY TIME.