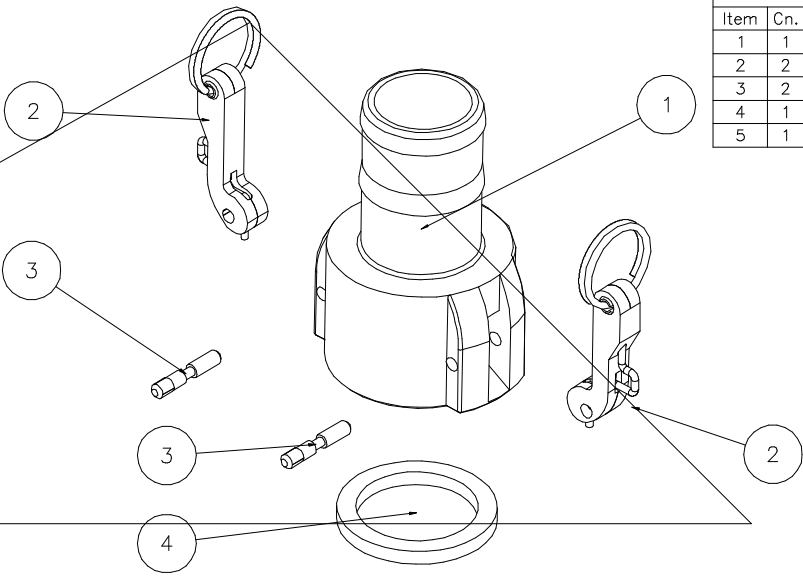
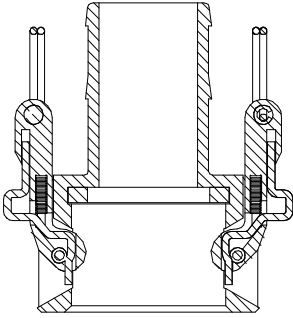


Parts list				
Item	Cn.	Description	Note	Material
1	1	200XMC	UNASSMBLED "C" CPLG	POLYPROPYLENE
2	2	200KL	LOCKING CAM ARM ASSEMBLY	316SS
3	2	200PKL	LOCKING CAM ARM PIN	316SS
4	1	200G	COUPLING GASKET	EPDM
5	1	150(200)D	DECAL	

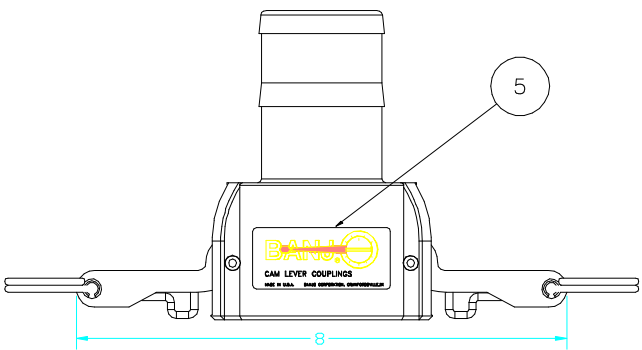
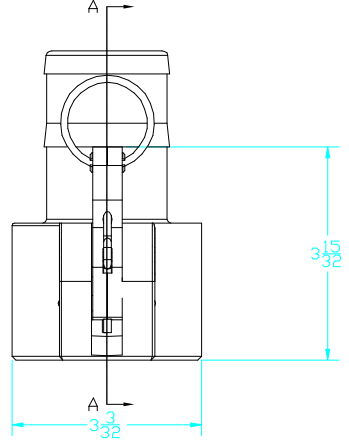
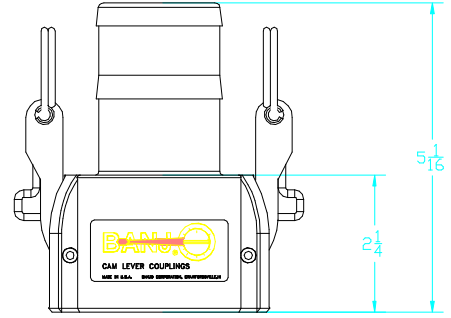


WARNING:  
 LOCKING CAM ARM LEVER IS NOT INTENDED  
 TO BE USED AS A SECURITY DEVICE OR TO  
 PREVENT UNAUTHORIZED OPENING OF  
 COUPLING ASSEMBLY

PATENT PENDING



SECTION A-A



BANJO CORPORATION  
 150 BANJO DR. \* CRAWFORDSVILLE, IN 47933

PART NO. L200C

TITLE  
 2" Female Coupling x 2" Hose Barb w/ Locking Arms

THIS DRAWING AND ALL INFORMATION  
 CONTAINED THEREIN ARE THE EXCLUSIVE  
 PROPERTY OF BANJO CORPORATION.  
 UNLESS SPECIFICALLY NOTED, THIS  
 DRAWING AND ITEMS SHOWN ON THIS  
 DRAWING ARE SUBJECT TO CHANGE  
 AT ANY TIME.