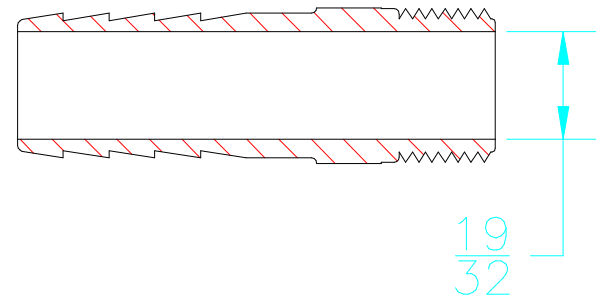
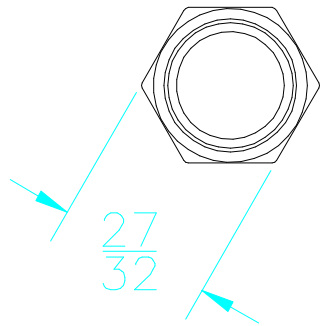
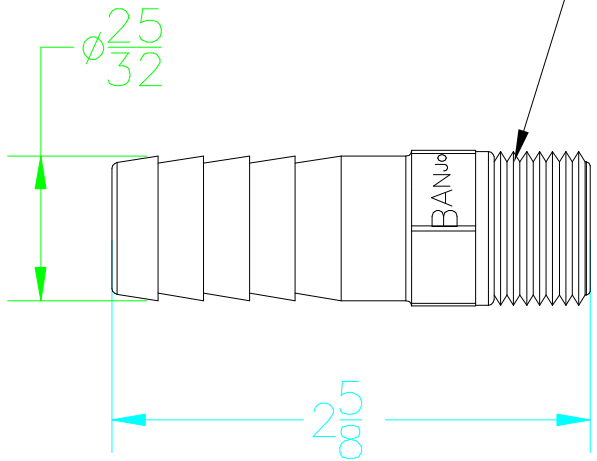


1/2" NPT PER
ANSI B2.1-1968



THIS DRAWING AND ALL INFORMATION
CONTAINED THEREON ARE THE EXCLUSIVE
PROPERTY OF BANJO CORPORATION.
UNLESS SPECIFICALLY NOTED, THIS
DRAWING AND ITEMS SHOWN ON THIS
DRAWING ARE SUBJECT TO CHANGE
AT ANY TIME.

<p>BANJO LIQUID HANDLING PRODUCTS</p>
<p>BANJO CORPORATION 150 BANJO DR. * CRAWFORDSVILLE, IN 47933</p>
<p>PART NO. HB050075SS</p>
<p>TITLE 1/2" MNPT X 3/4" HOSE BARB 316 SS</p>