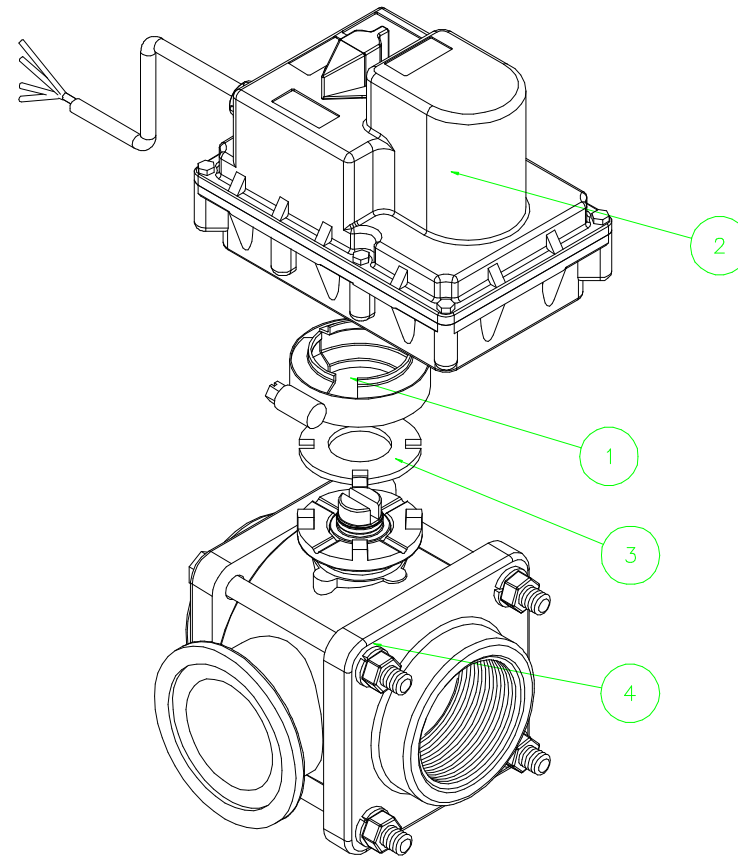


Parts List

Item	Qty	Part Number	Description
1	1	FC100	1" Flange Clamp
2	1	EV4100	1 1/4 Sec, 3 Wire On/Off Motor
3	1	MVE004	Weep Hole Filter
4	1	EV204SLXR1	2" FP SL Valve Only
5	2	VL200SL	SL Decal



**BANJO**  
LIQUID HANDLING PRODUCTS

BANJO CORPORATION  
150 BANJO DR. • CRAWFORDSVILLE, IN 47933

PART NO. EV204SLFP

TITLE  
2" FP SL Electric Valve 1 1/4 Sec, 3 Wire, On/Off

THIS DRAWING AND ALL INFORMATION CONTAINED THEREON ARE THE EXCLUSIVE PROPERTY OF BANJO CORPORATION. UNLESS SPECIFICALLY NOTED, THIS DRAWING AND ITEMS SHOWN ON THIS DRAWING ARE SUBJECT TO CHANGE AT ANY TIME.