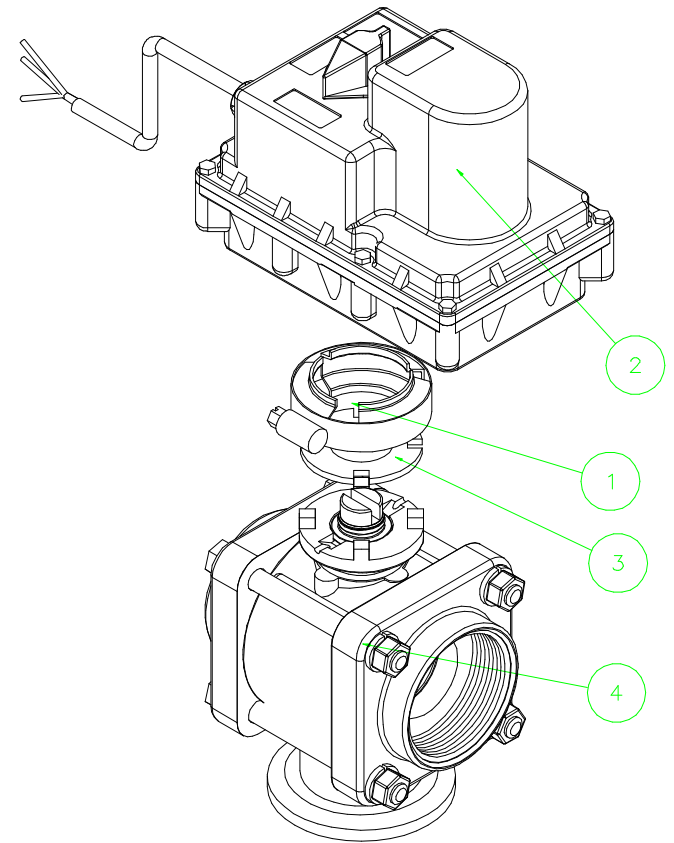


Parts List				
Item	Qty	Part Number	Description	
1	1	FC100	1" Flange Clamp	
2	1	EV4100	1 1/4 Sec, 3 Wire On/Off Motor	
3	1	MVE004	Weep Hole Filter	
4	1	EV200BLXR1	2" BL Valve Only	
5	2	VL200BL	BL Decal	



BANJO CORPORATION
 150 BANJO DR. • CRAWFORDSVILLE, IN 47933
 PART NO. EV200BL
 TITLE 2" BL Electric Valve 1 1/4 Sec, 3 Wire, On/Off

THIS DRAWING AND ALL INFORMATION
 CONTAINED THEREON ARE THE EXCLUSIVE
 PROPERTY OF BANJO CORPORATION.
 UNLESS SPECIFICALLY NOTED, THIS
 DRAWING AND ITEMS SHOWN ON THIS
 DRAWING ARE SUBJECT TO CHANGE
 AT ANY TIME.