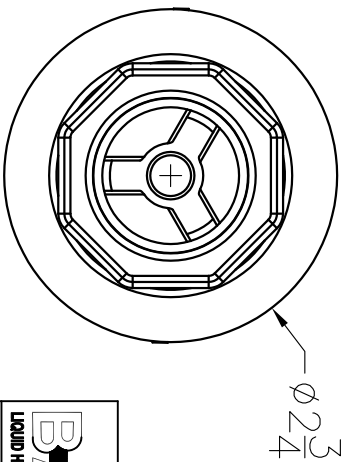
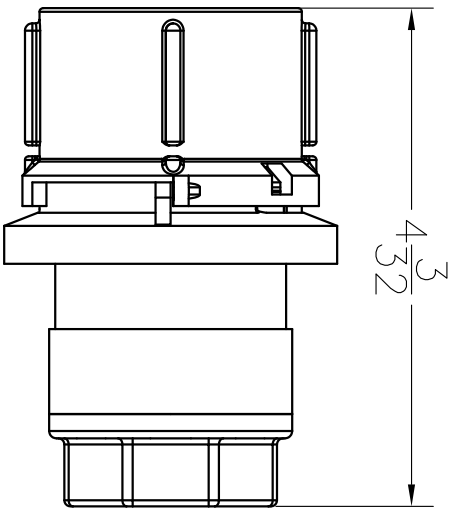
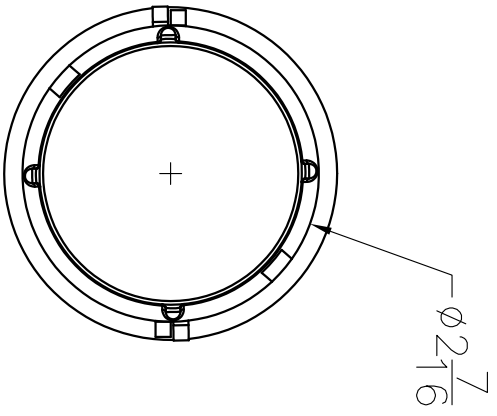
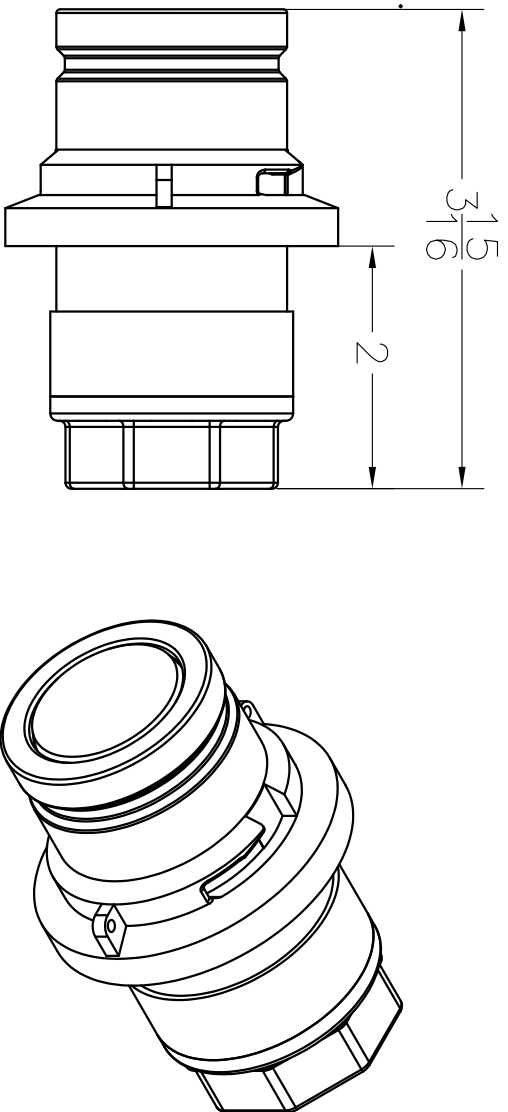


SEALS: VITON OR FKM  
NO USER SERVICEABLE PARTS.



THIS DRAWING AND ALL INFORMATION  
HEREON IS THE PROPERTY OF BANUO  
CORPORATION. NO REPRODUCTION  
OR TRANSMISSION OF THIS DRAWING  
OR INFORMATION IS PERMITTED  
WITHOUT THE WRITTEN CONSENT OF  
BANUO CORPORATION. THIS DRAWING  
AND ALL INFORMATION ARE SUBJECT TO CHANGE  
WITHOUT NOTICE.

**BANUO**  
LIQUID HANDLING PRODUCTS

**BANUO CORPORATION**  
150 BANUO DR. • CRAWFORDVILLE, IN 47933

PART NO. **DPCM100**

TITLE  
**1" Male Push Connect Fitting**

