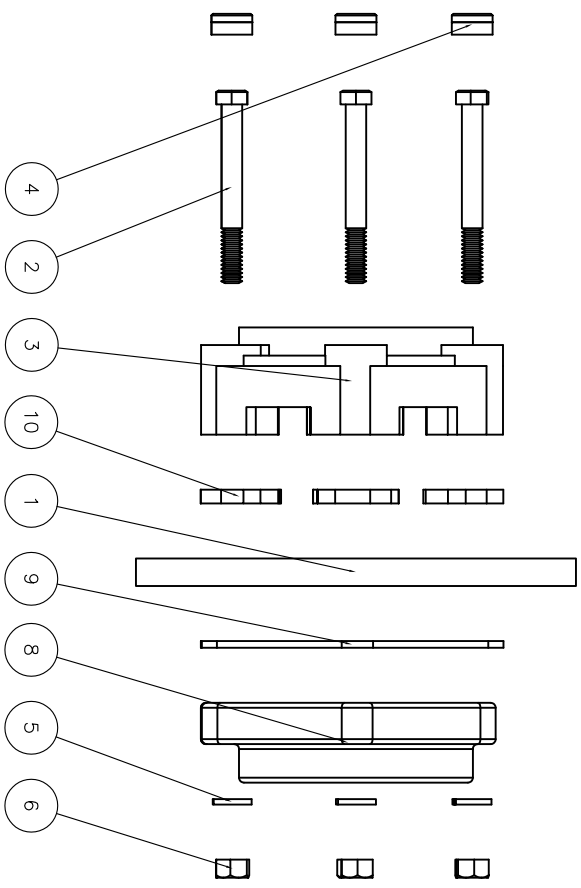
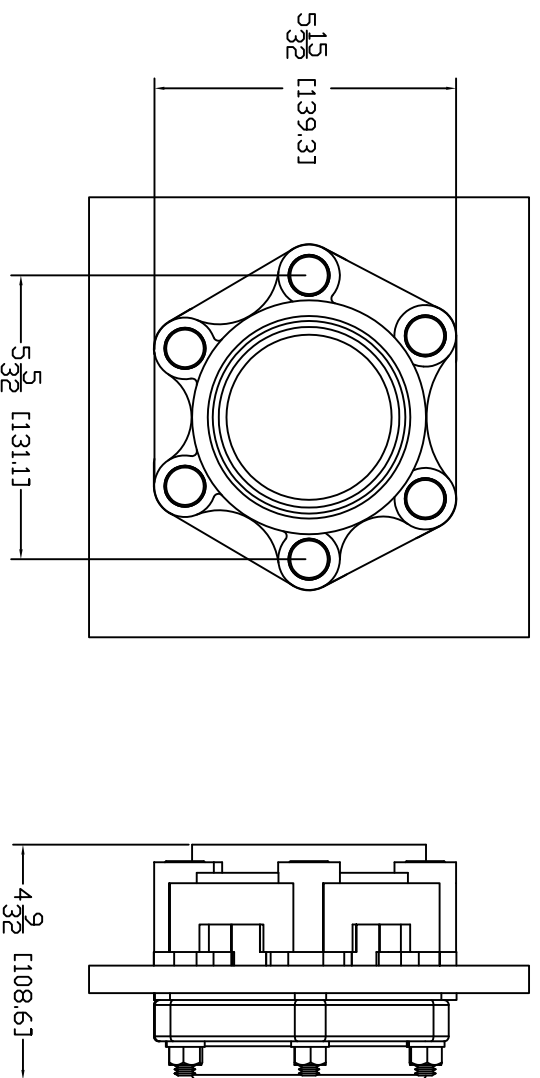


Parts List

ITEM QTY	PART NO.	DESCRIPTION
1	1	TANK CUSTOMER'S TANK
2	6	BF307 3/8-16 X 3 1/4" HHCS
3	1	BF301BD 3" BOLTED FLG. BACK PLATE
4	6	BF304A TANK FLG. BUTTON
5	6	V20018 3/8" LOCKWASHER
6	6	V20019 3/8" HEX NUT
7	1	VL1005 DECAL (N/S)
8	1	V30164 3" END PLATE
9	1	BF300GV FLG. GASKET
10	6	BF300GFV FLG. FOOT GASKET



THIS DRAWING AND ALL INFORMATION CONTAINED THEREON ARE THE EXCLUSIVE PROPERTY OF BANJO CORPORATION. NO PARTS, MATERIALS, METHODS, PROCESSES, OR EQUIPMENT, THE REPRODUCTION OR TRANSMISSION OF WHICH IS IN ANY MANNER SUBJECT TO CHANGE.



**BANJO CORPORATION**  
 190 BANJO DR. ■ CRAWFORDSVILLE, IN 47933  
 PART NO. BF-300B1V  
 TITLE 3" TANK FLANGE