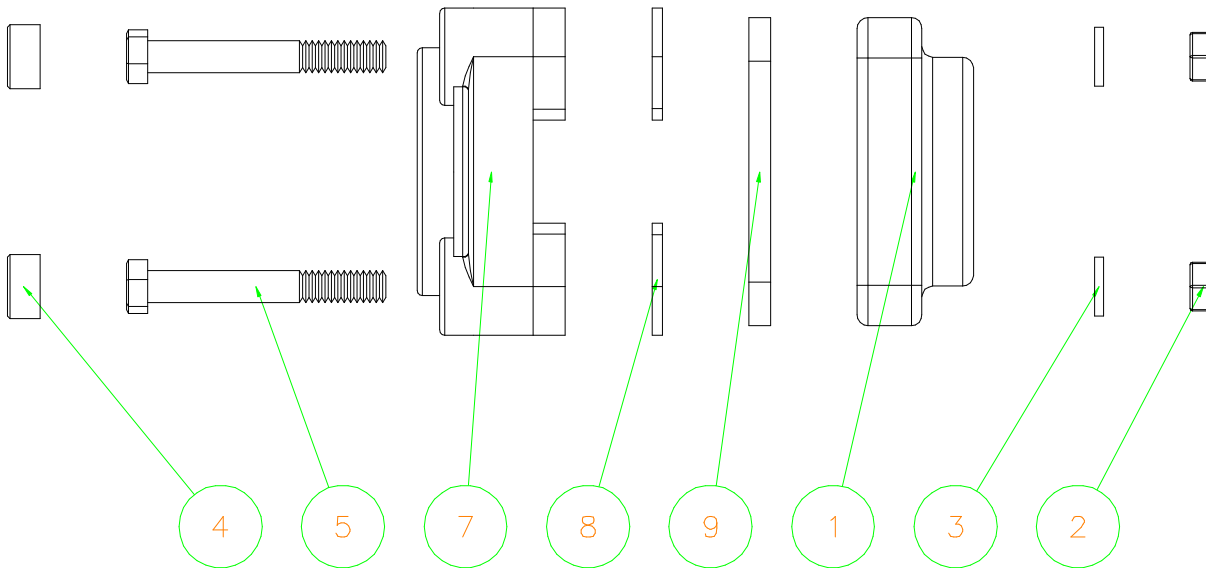
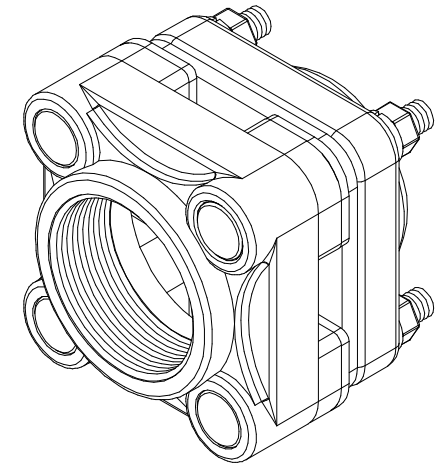


Parts List			
ITEM	QTY	PART NO.	DESCRIPTION
1	1	V20157	1 1/2" END PLATE
2	4	V20019	3/8" HEX NUT
3	4	V20018	3/8" LOCKWASHER
4	4	BF304A	FLANGE BOLT PLUG
5	4	BF306	3/8-16 X 2 3/4" HHCS
6	1	VL1005	FKM DECAL (N/S)
7	1	BF201BD	BOTTOM DRAIN BACK PLATE
8	4	BF200GFV	FOOT FLG. GASKET
9	1	BF200GV	FLANGE GASKET



THIS DRAWING AND ALL INFORMATION CONTAINED THEREON ARE THE EXCLUSIVE PROPERTY OF BANJO CORPORATION. UNLESS SPECIFICALLY NOTED, THIS DRAWING AND ITEMS SHOWN ON THIS DRAWING ARE SUBJECT TO CHANGE AT ANY TIME.

**BANJO**  
LIQUID HANDLING PRODUCTS®

BANJO CORPORATION  
150 BANJO DR. \* CRAWFORDSVILLE, IN 47933

PART NO. BF150BDV

TITLE  
1 1/2" BOTTOM DRAIN BOLTED TANK FLANGE