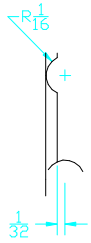
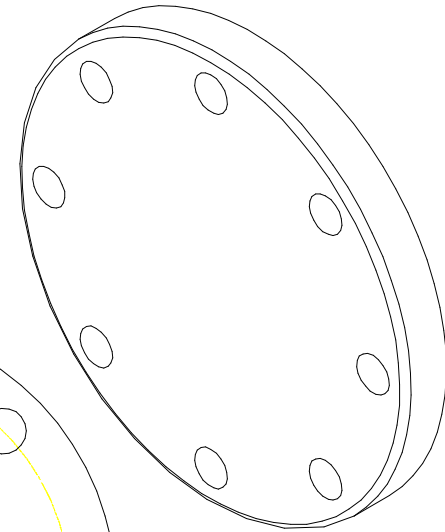
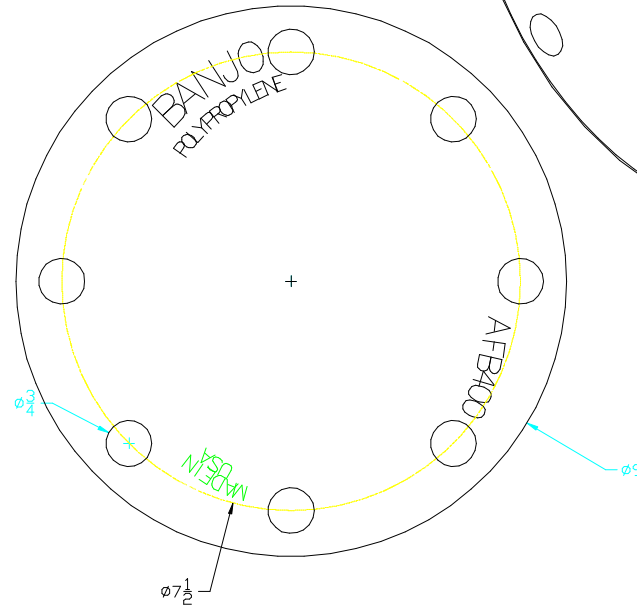
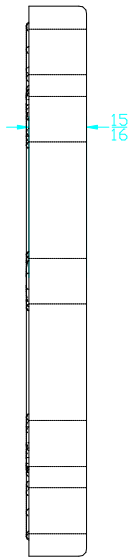
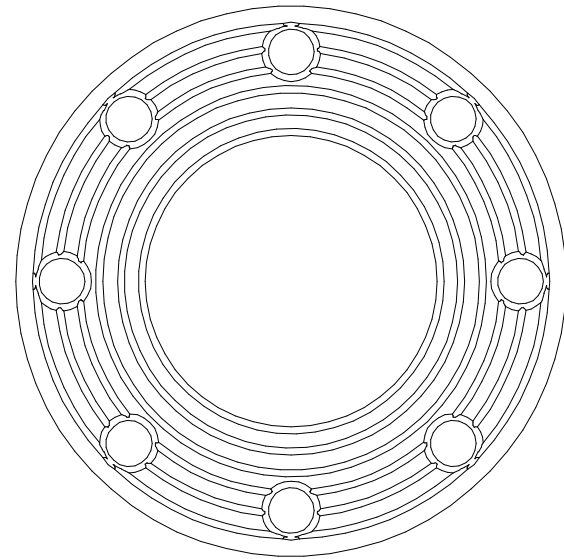
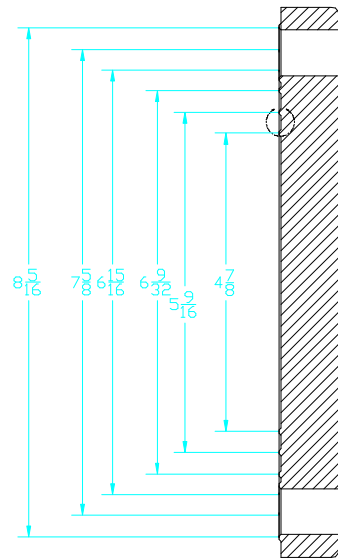


D

Item Qty.	Part Number	Description
1 1		



VIEW D



BANJO CORPORATION
150 BANJO DR. * CRAWFORDSVILLE, IN 47933

PART NO. AFB400
TITLE 4" ANSI 150# Style Blind Flange

THIS DRAWING AND ALL INFORMATION CONTAINED THEREIN ARE THE EXCLUSIVE PROPERTY OF BANJO CORPORATION. UNLESS SPECIFICALLY NOTED, THIS DRAWING AND ITEMS SHOWN IN THIS DRAWING ARE SUBJECT TO CHANGE AT ANY TIME.