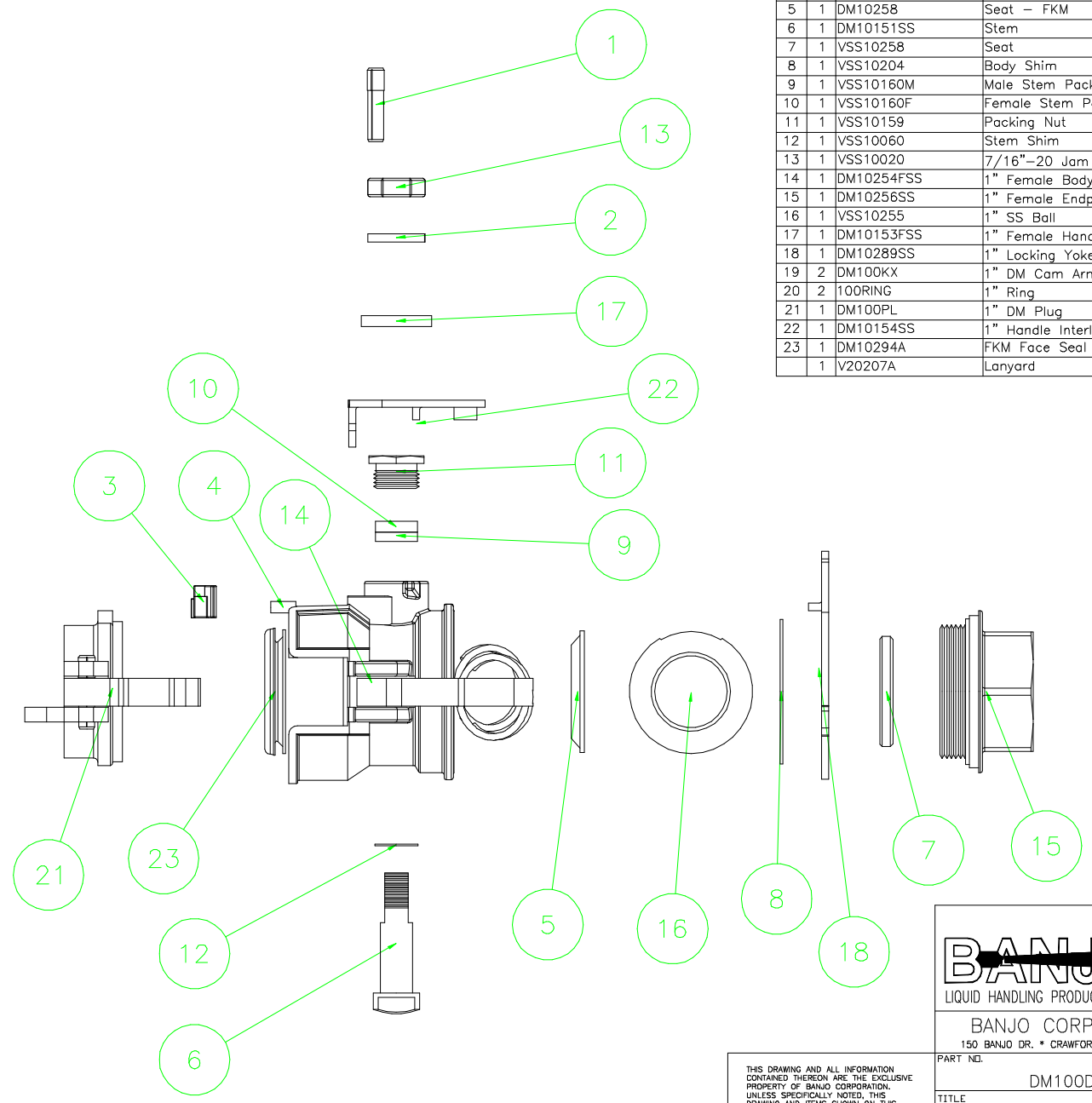
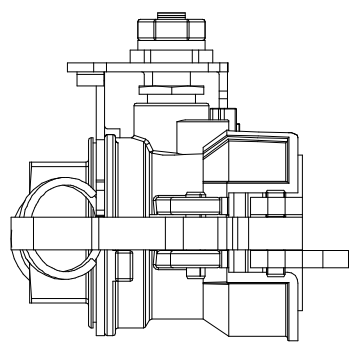
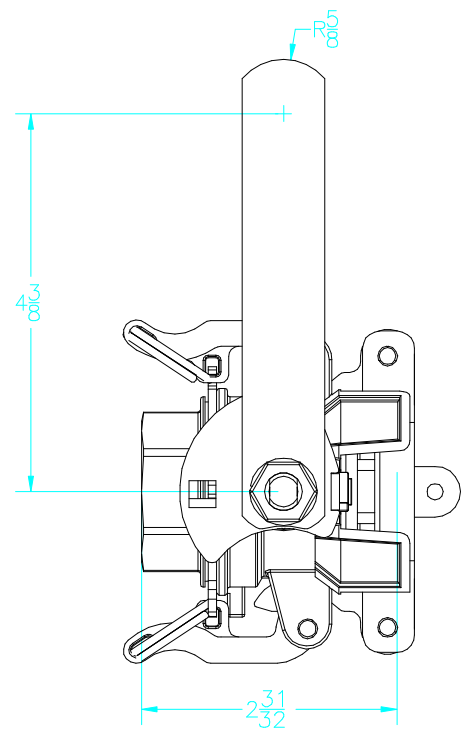


Parts List

| Item | Qty | Part No. | Description |
|------|-----|------------|---------------------|
| 1 | 2 | 100P | 1" Pin |
| 2 | 1 | VSS10021 | 7/16" Lock Washer |
| 3 | 1 | DM10288SS | Interlock Button |
| 4 | 2 | DM10281 | Spring |
| 5 | 1 | DM10258 | Seat - FKM |
| 6 | 1 | DM10151SS | Stem |
| 7 | 1 | VSS10258 | Seat |
| 8 | 1 | VSS10204 | Body Shim |
| 9 | 1 | VSS10160M | Male Stem Packing |
| 10 | 1 | VSS10160F | Female Stem Packing |
| 11 | 1 | VSS10159 | Packing Nut |
| 12 | 1 | VSS10060 | Stem Shim |
| 13 | 1 | VSS10020 | 7/16"-20 Jam Nut |
| 14 | 1 | DM10254FSS | 1" Female Body |
| 15 | 1 | DM10256SS | 1" Female Endplate |
| 16 | 1 | VSS10255 | 1" SS Ball |
| 17 | 1 | DM10153FSS | 1" Female Handle |
| 18 | 1 | DM10289SS | 1" Locking Yoke |
| 19 | 2 | DM100KX | 1" DM Cam Arm |
| 20 | 2 | 100RING | 1" Ring |
| 21 | 1 | DM100PL | 1" DM Plug |
| 22 | 1 | DM10154SS | 1" Handle Interlock |
| 23 | 1 | DM10294A | FKM Face Seal |
| | 1 | V20207A | Lanyard |



THIS DRAWING AND ALL INFORMATION CONTAINED THEREON ARE THE EXCLUSIVE PROPERTY OF BANJO CORPORATION. UNLESS SPECIFICALLY NOTED, THIS DRAWING AND ITEMS SHOWN ON THIS DRAWING ARE SUBJECT TO CHANGE AT ANY TIME.

BANJO
LIQUID HANDLING PRODUCTS

BANJO CORPORATION
150 BANJO DR. * CRAWFORDSVILLE, IN 47933

PART NO. DM100DSS

TITLE
1" Female SS Drymate