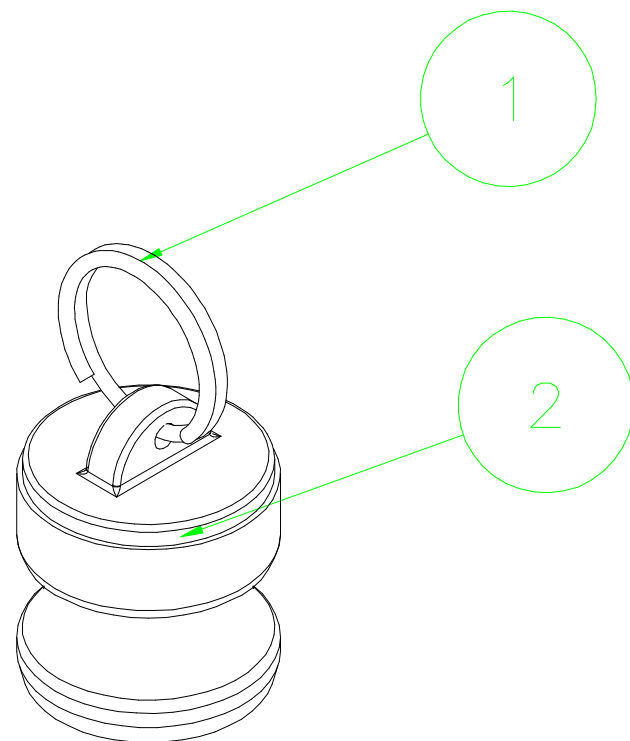
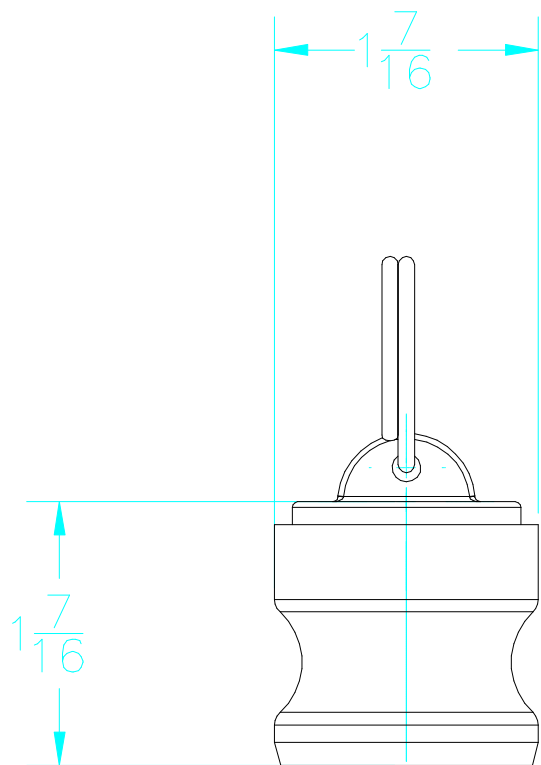


Parts List			
Item	Qty	Name	Material
1	1	100RING	
2	1	100125PLXFD	



THIS DRAWING AND ALL INFORMATION CONTAINED THEREON ARE THE EXCLUSIVE PROPERTY OF BANJO CORPORATION. UNLESS SPECIFICALLY NOTED, THIS DRAWING AND ITEMS SHOWN ON THIS DRAWING ARE SUBJECT TO CHANGE AT ANY TIME.

LIQUID HANDLING PRODUCTS®	
BANJO CORPORATION 150 BANJO DR. * CRAWFORDSVILLE, IN 47933	
PART NO.	100125PLFD
TITLE	1 3/4" / 1 1/4" Coupling Plug FDA