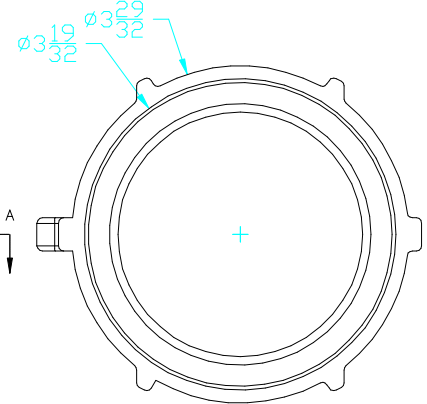
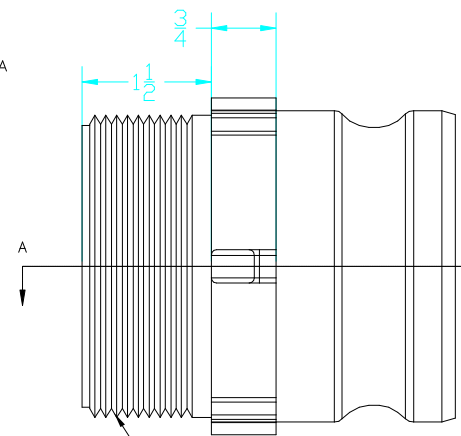
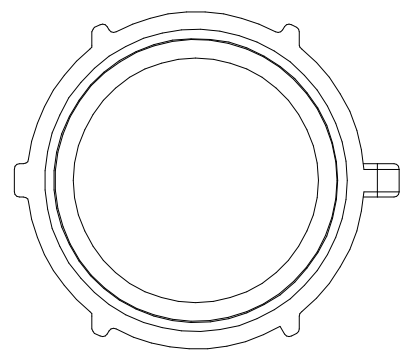



SECTION A-A



3" NPT Threads

	
<b>BANJO CORPORATION</b> 150 BANJO DR. * CRAWFORDSVILLE, IN 47933	
PART NO.	300FFD
TITLE	3" F Cam lever adapter FDA Matl

THIS DRAWING AND ALL INFORMATION CONTAINED THEREIN ARE THE EXCLUSIVE PROPERTY OF BANJO CORPORATION. UNLESS SPECIFICALLY NOTED, THIS DRAWING AND ITEMS SHOWN IN THIS DRAWING ARE SUBJECT TO CHANGE AT ANY TIME.