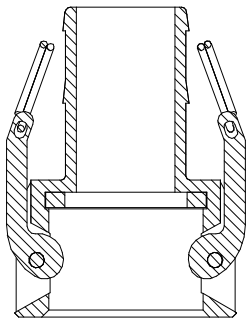
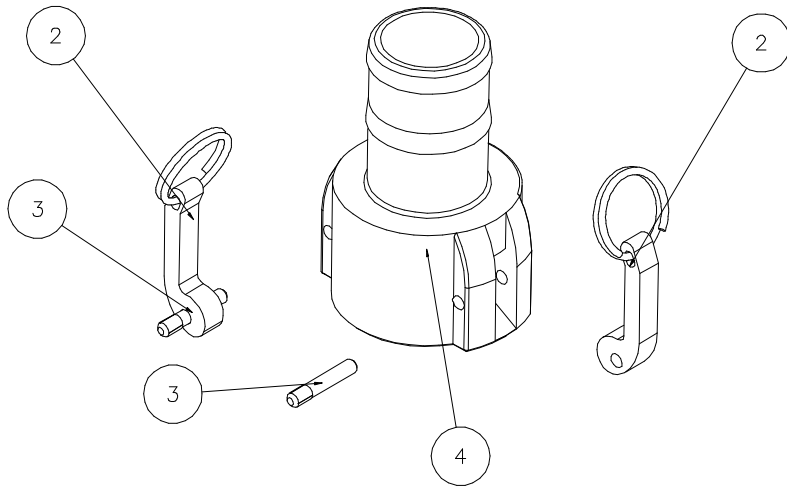
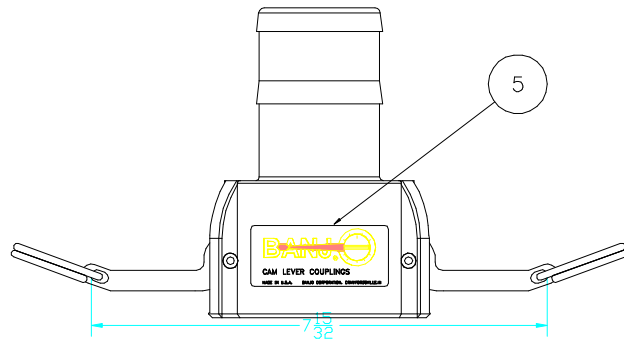
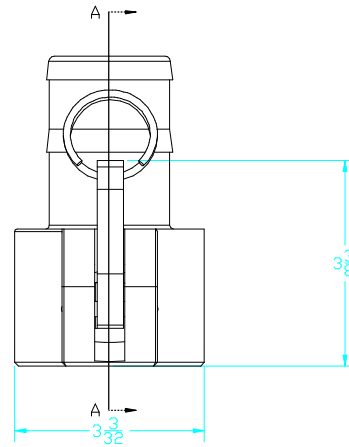
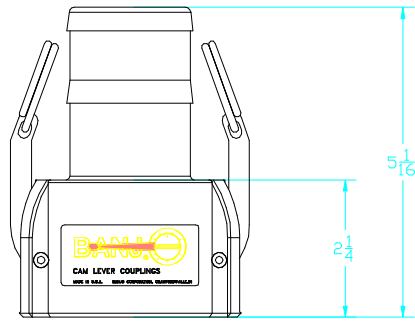


| Parts list |             |     |
|------------|-------------|-----|
| Item       | Description | Cn. |
| 2          | 150200K     | 2   |
| 3          | 200P        | 2   |
| 4          | 200G        | 1   |
| 5          | 150(200)D   | 1   |
| 1          | 200XMCFD    | 1   |



SECTION A-A



BANJO CORPORATION  
150 BANJO DR. \* CRAWFORDSVILLE, IN 47933

PART NO. 200CFD

TITLE 2" Coupler X Hose Barb

THIS DRAWING AND ALL INFORMATION CONTAINED THEREIN ARE THE EXCLUSIVE PROPERTY OF BANJO CORPORATION. UNLESS SPECIFICALLY NOTED, THIS DRAWING AND ITEMS SHOWN ON THIS DRAWING ARE SUBJECT TO CHANGE AT ANY TIME.