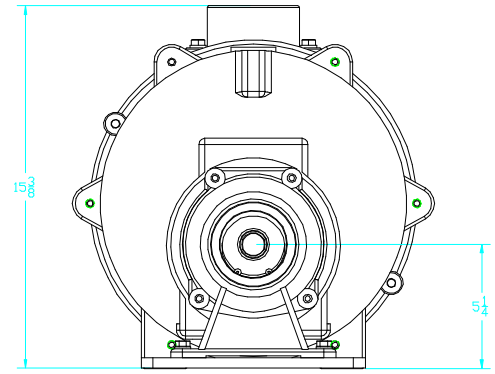
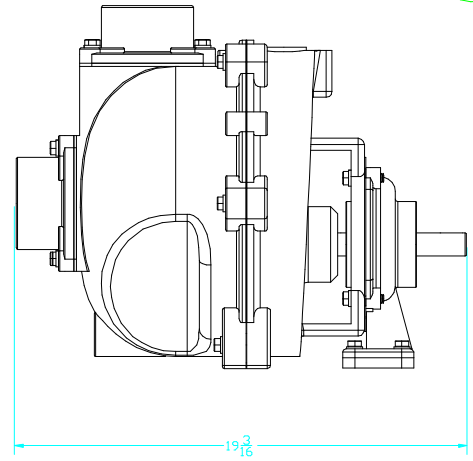
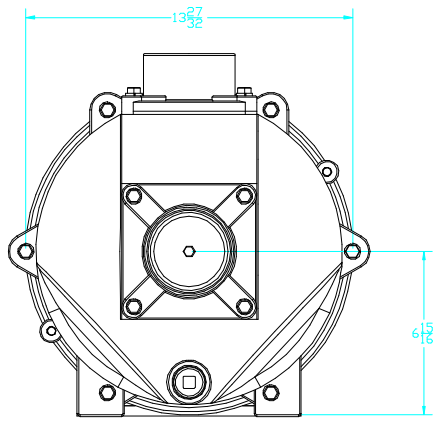
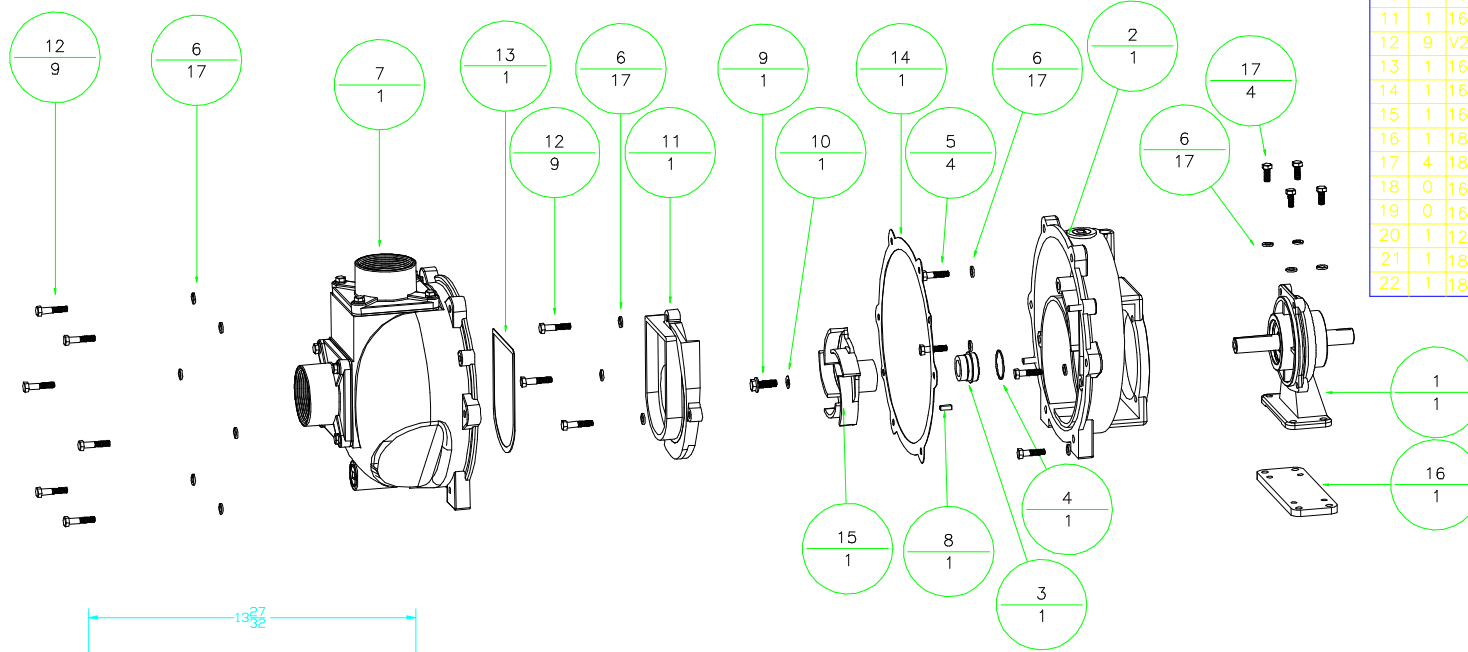



Item	Qty	Name	Description
1	1	18500	Bearing Pedestal Assembly
2	1	16704	Rear Bracket Assembly
3	1	16713	Mechanical Seal
4	1	16710	O-ring
5	4	18027	3/8"-16 x 1.50" HHCS
6	17	V20018	3/8" Split Lock Washer
7	1	16733	333 Pump Housing Assy
8	1	16901	1/4" x 3/4" Shaft Key
9	1	16765	Impeller Bolt
10	1	16019C	16019 Gasket Set (A,B,C)
11	1	16702	Volute
12	9	V20011SS	3/8"-16 x 1.75" HHCS
13	1	16019B	16019 Gasket Set (A,B,C)
14	1	16019A	16019 Gasket Set (A,B,C)
15	1	16773	3" Pump Impeller
16	1	18511	Bearing Pedestal Adapter Plate
17	4	18512	3/8"-16 x 0.87" HHCS
18	0	16751 (as required)	Rear Bracket Shim
19	0	16752 (as required)	Impeller Shim
20	1	12910 (not shown)	Decal for Pump
21	1	18033 (not shown)	Pump Handle
22	1	18034 (not shown)	5/8"-11 Jam Nut





BANJO
LIQUID HANDLING PRODUCTS

BANJO CORPORATION
150 BANJO DR. * CRAWFORDSVILLE, IN 47933

PART NO.	333PBI
TITLE	3' x 3' Banjo Pump w/ Bearing Pedestal

THIS DRAWING AND ALL INFORMATION CONTAINED THEREIN ARE THE EXCLUSIVE PROPERTY OF BANJO CORPORATION. UNLESS SPECIFICALLY NOTED, THIS DRAWING AND ITEMS SHOWN IN THIS DRAWING ARE SUBJECT TO CHANGE AT ANY TIME.