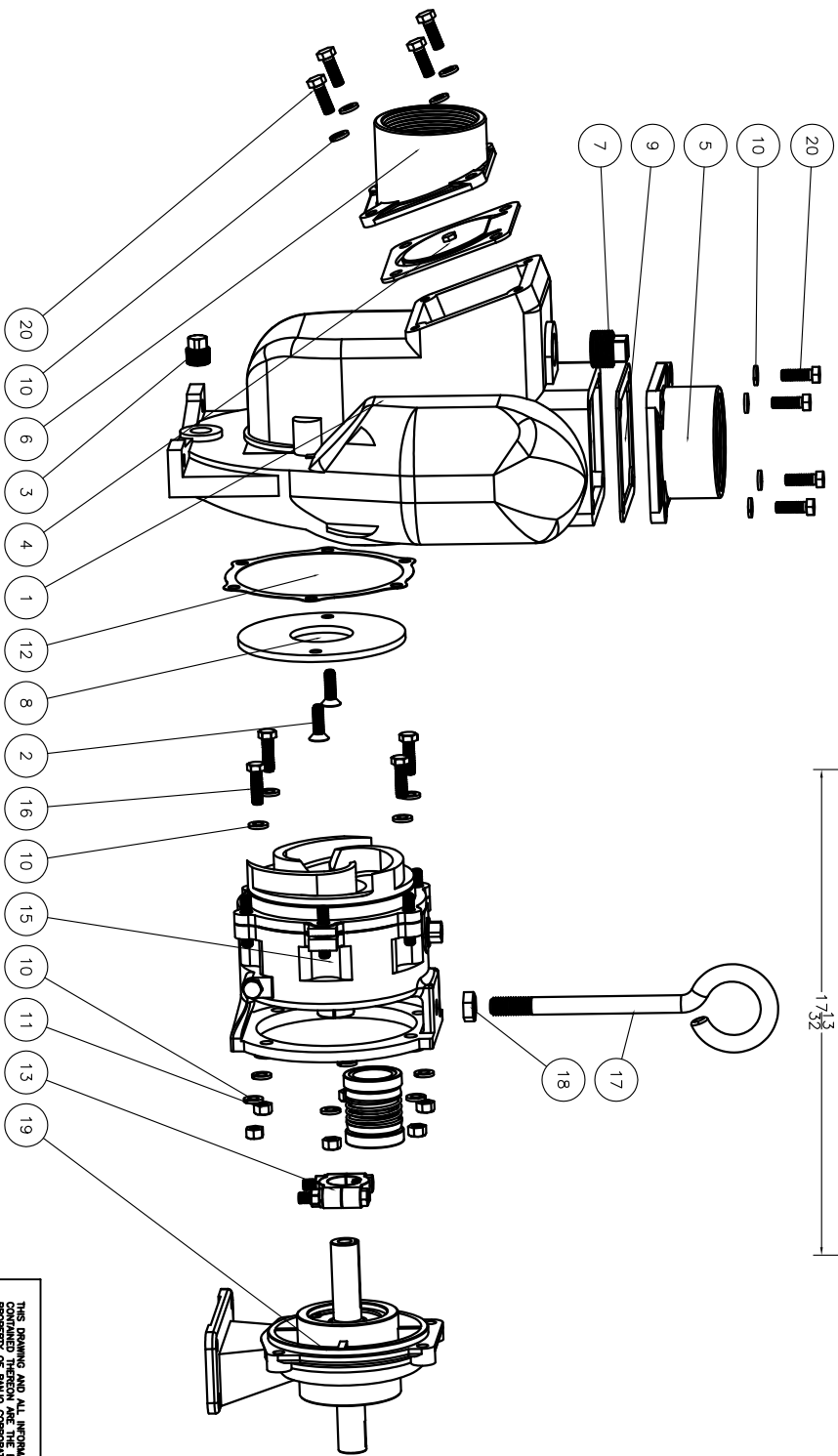


Parts List

Item Qty	PART NO.	DESCRIPTION
1	118001	3" PUMP HOUSING
2	18106	3/8-16 X 1 1/4 FHSS
3	118003	DRAIN PLUG
4	118013	CHECK VALVE GASKET
5	118008	3" FLANGE OUTLET
6	118012	3" FLANGE INLET
7	118002	1" NPT PLUG
8	118004	WEAR PLATE
9	118009	OUTLET GASKET
10	18108	3/8" LOCKWASHER
11	1180019	3/8" HEX NUT
12	118021	ADAPTER GASKET
13	118129	KEYED CLAMP
14	112910	PUMP DECAL (N/S)
15	118200A	WET SEAL RESERVOIR
16	4 17704	3/8-16 X 1 1/4" HHCS
17	118033	HANDLE
18	118034	HANDLE NUT
19	118500	BEARING PEDESTAL
20	8 18010SS	3/8-16 X 1 1/8" HHCS



THIS DRAWING AND ALL INFORMATION CONTAINED HEREON ARE THE EXCLUSIVE PROPERTY OF BANJO CORPORATION. NO PARTS OR INFORMATION FROM THIS DRAWING ARE TO BE REPRODUCED OR TRANSMITTED IN ANY FORM OR BY ANY MEANS WITHOUT THE WRITTEN PERMISSION OF BANJO CORPORATION. THIS DRAWING IS SUBJECT TO CHANGE WITHOUT NOTICE.



BANJO CORPORATION
150 BANJO DR. • CRAWFORDSVILLE, IN 47933

PART NO. 301PBW

TITLE
3" CAST IRON WET SEAL PUMP, NEW STYLE