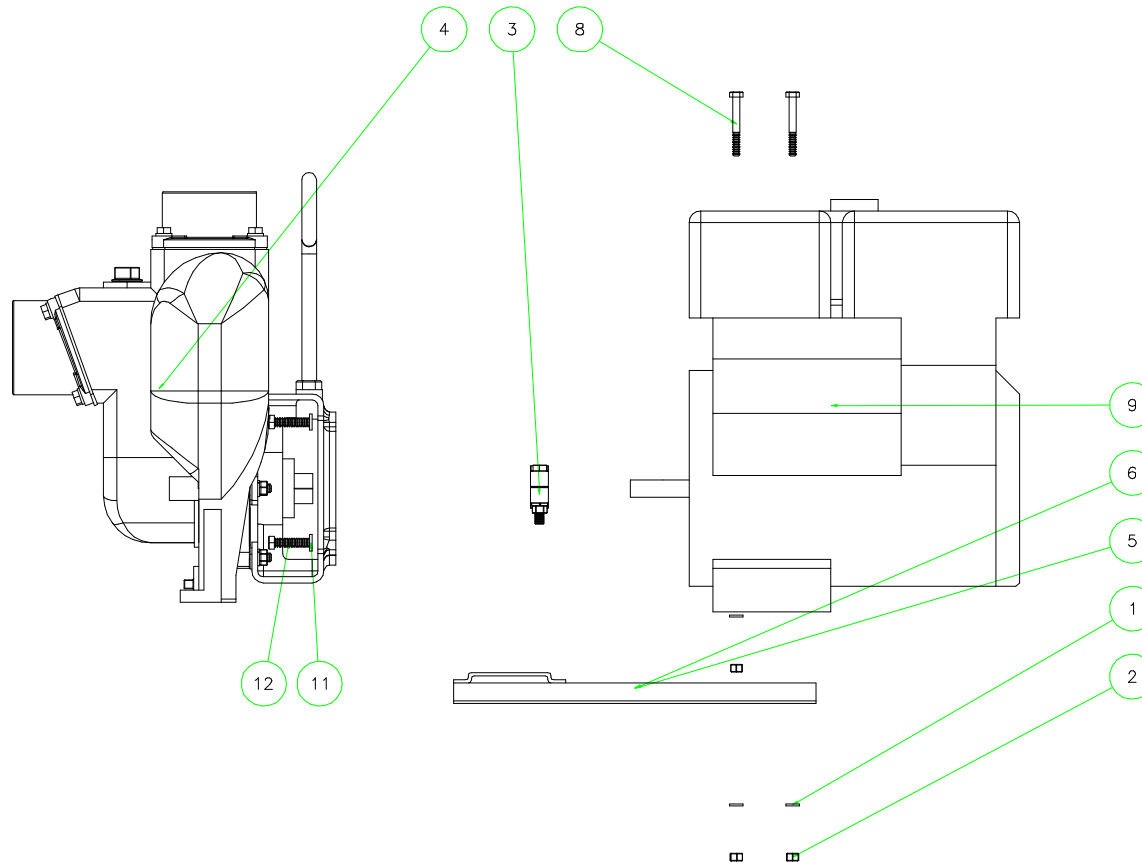


Parts List			
Item	Qty	PART NO.	DESCRIPTION
1	4	V10118	5/16" LOCKWASHER
2	4	V10119	5/16" HEX NUT
3	1	18129	CLAMP
4	1	300XPOI	3" C.I. PUMP ASSY.
5	1	18035A	MOTOR MT. (L.H.)
6	1	18035B	MOTOR MT. (R.H.)
7	1	12910	PUMP DECAL (N/S)
8	4	BF106	5/16-18 X 2 1/2 HHCS
9	1	E8PRO	8HP INTEK PRO ENGINE
10	1	17036	B&S SPACER SET (N/S)
11	4	V20018	3/8" LOCKWASHER
12	4	18027	3/8-16 X 1 1/2" HHCS



**BANJO**  
LIQUID HANDLING PRODUCTS

BANJO CORPORATION  
150 BANJO DR. \* CRAWFORDSVILLE, IN 47933

PART NO. 300P18PRO

TITLE 3" CAST IRON PUMP W/ 8HP B&S INTEK PRO ENGINE

THIS DRAWING AND ALL INFORMATION CONTAINED THEREON ARE THE EXCLUSIVE PROPERTY OF BANJO CORPORATION. UNLESS SPECIFICALLY NOTED, THIS DRAWING AND ITEMS SHOWN ON THIS DRAWING ARE SUBJECT TO CHANGE AT ANY TIME.