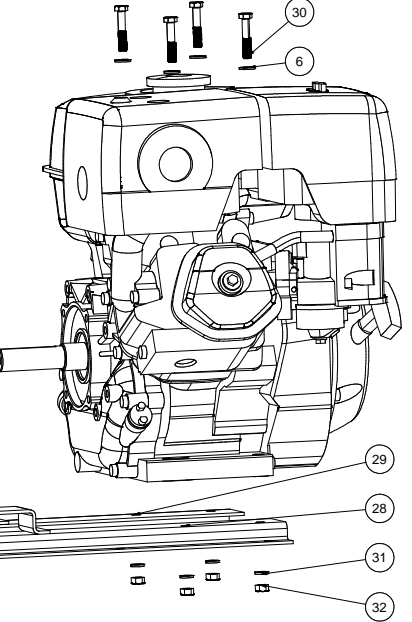
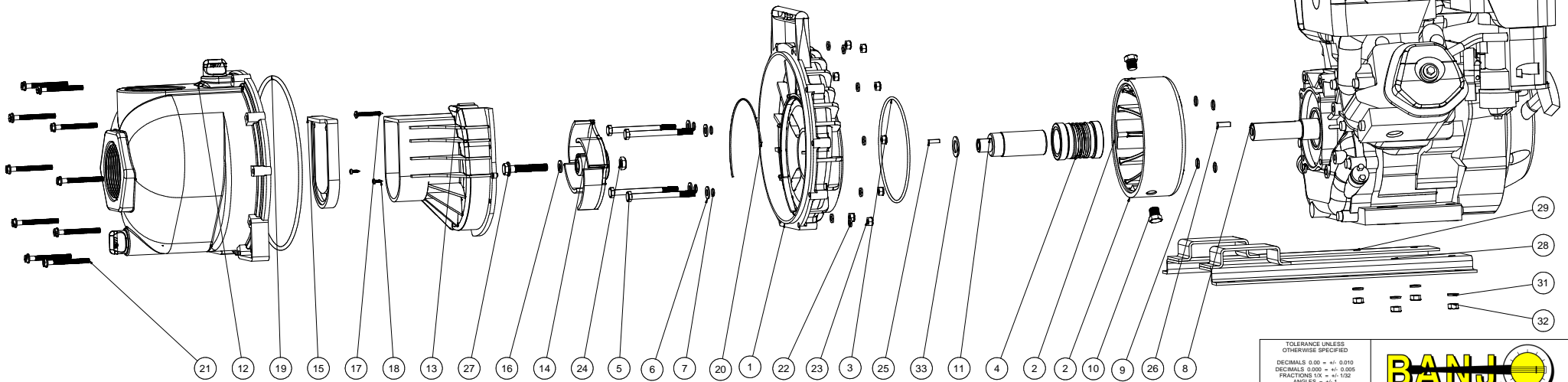


		Parts List	
ITEM	QTY	PART NUMBER	DESCRIPTION
1	1	12703AW	3" W.S. REAR BRACKET
2	1	12201W	3" WET SEAL RESERVOIR
3	1	13719	#256 O-RING
4	1	15035	MECH. SEAL ASSY.
5	4	12034	5/16 - 24 X 3 3/4" HHCS
6	8	12901	5/16" FLAT WASHER
7	4	12717	O-RING FOR BRKT SCREW
8	1	E11H	11 HP HONDA
9	4	12709	#13 O-RING
10	2	17032	1/4" DRAIN PLUG
11	1	13055	ADAPTER SHAFT
12	1	13712	3" POLY PUMP BODY ASSY.
13	1	13702	3" POLY PUMP VOLUTE
14	1	13772	3" POLY PUMP IMPELLER
15	1	12705	CHECKVALVE
16	1	12774VA	IMPELLER BOLT GASKET
17	1	12900	#10 X 1 1/2" PPH SMS
18	2	12725	#6 X 1/2" PPH SMS
19	1	12719A	PUMP BODY O-RING #375
20	1	12754	O-RING SEGMENT
21	10	12720	1/4-20 X 2 1/2" SL IND HWHS
22	10	V07018	1/4" LOCKWASHER
23	10	V07019	1/4-20 HEX NUT
24	1	12775A	7/16-14 HEX NUT
25	1	12902A	3/16" SQ. X 5/8" KEY
26	1	16901	1/4" SQ. 3/4" KEY STOCK
27	1	13766	3/8-24 X 2 1/4" HFS
28	1	18135B	Z-RAIL
29	1	18135A	Z-RAIL
30	4	17029	5/16-18 X 1.75" HHCS
31	4	V10118	5/16" LOCKWASHER
32	4	V10119	5/16" HEX NUT
33	1	CV10175	GASKET



TOLERANCE UNLESS OTHERWISE SPECIFIED
 DECIMALS 0.00 = +/- 0.010
 DECIMALS 0.000 = +/- 0.005
 FRACTIONS 1/32 = +/- 1/128
 ANGLES = +/- 1'

BREAK ALL SHOWN CORNERS W/ 1/32 R UNLESS OTHERWISE SPECIFIED

BANJO CORPORATION
 BANJO CORPORATION
 150 BANJO DRIVE, CRAWFORDSVILLE, IN 47933

3" POLY WET SEAL PUMP

SIZE: F DWG TYPE: ENG DWG NO: 300PH11W REV: 1
 SHEET 1 OF 1