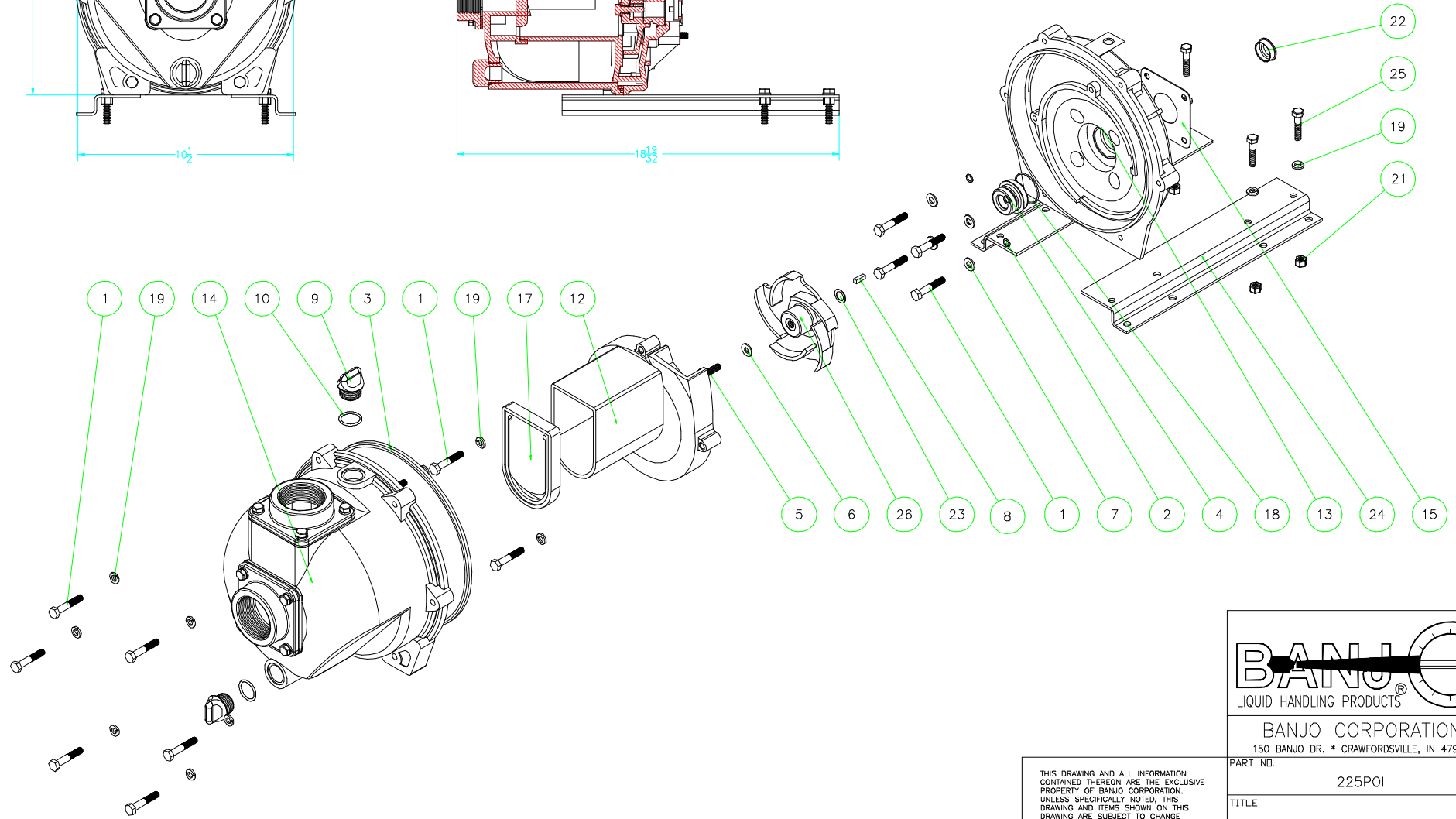
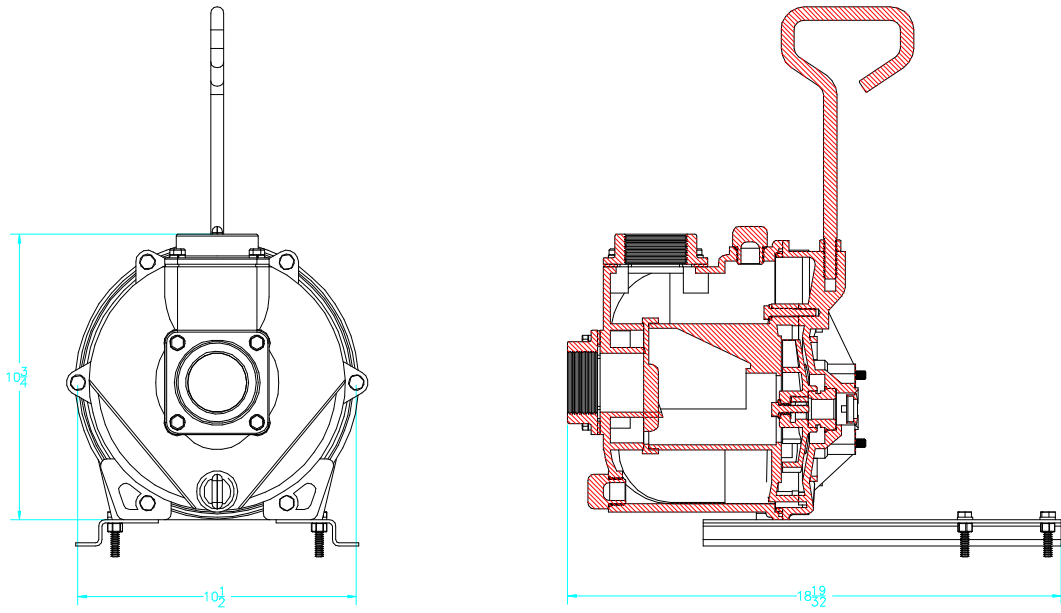


Parts List		
Item Qty	PART NO.	DESCRIPTION
1	12715A	5/16-24 X 1 3/4 HHCS
2	12717	O'RING FOR SCREW HD
3	12719A	PUMP BODY O'RING
4	12733V	PUMP SEAL ASSEMBLY
5	12765A	5/16-24 X 1 1/8 HFS
6	12774VA	IMP. BOLT GASKET
7	12901	5/16" FLAT WASHER
8	12902A	3/16X3/16X5/8 KEY
9	13777	3" DRAIN PLUG
10	13778	PLUG O'RING
11	15022	HANDLE
12	15702	C.I. VOLUTE
13	15703	C.I. REAR BRACKET
14	15712	PUMP BODY
15	15751	REAR BRKT SHIM
16	17010	1/2-13 UNC HEX NUT
17	12705	CHECK VALVE
18	12710	O'RING FOR SEAL ASSY
19	V10118	5/16" LOCKWASHER
20	12910	DECAL (N/S)
21	V10119	5/16" HEX NUT
22	12716	SLINGER
23	15752	IMPELLER SHIM
24	17033	MOTOR MOUNT
25	17034	5/16" X 1 3/4" HHCS
26	15773	C.I. IMPELLER



BANJO CORPORATION
150 BANJO DR. * CRAWFORDSVILLE, IN 47933

PART NO. 225POI

TITLE 2" CAST IRON PUMP ONLY W/ TRIMMED IMPELLER

THIS DRAWING AND ALL INFORMATION CONTAINED THEREON ARE THE EXCLUSIVE PROPERTY OF BANJO CORPORATION. UNLESS SPECIFICALLY NOTED, THIS DRAWING AND ITEMS SHOWN ON THIS DRAWING ARE SUBJECT TO CHANGE AT ANY TIME.