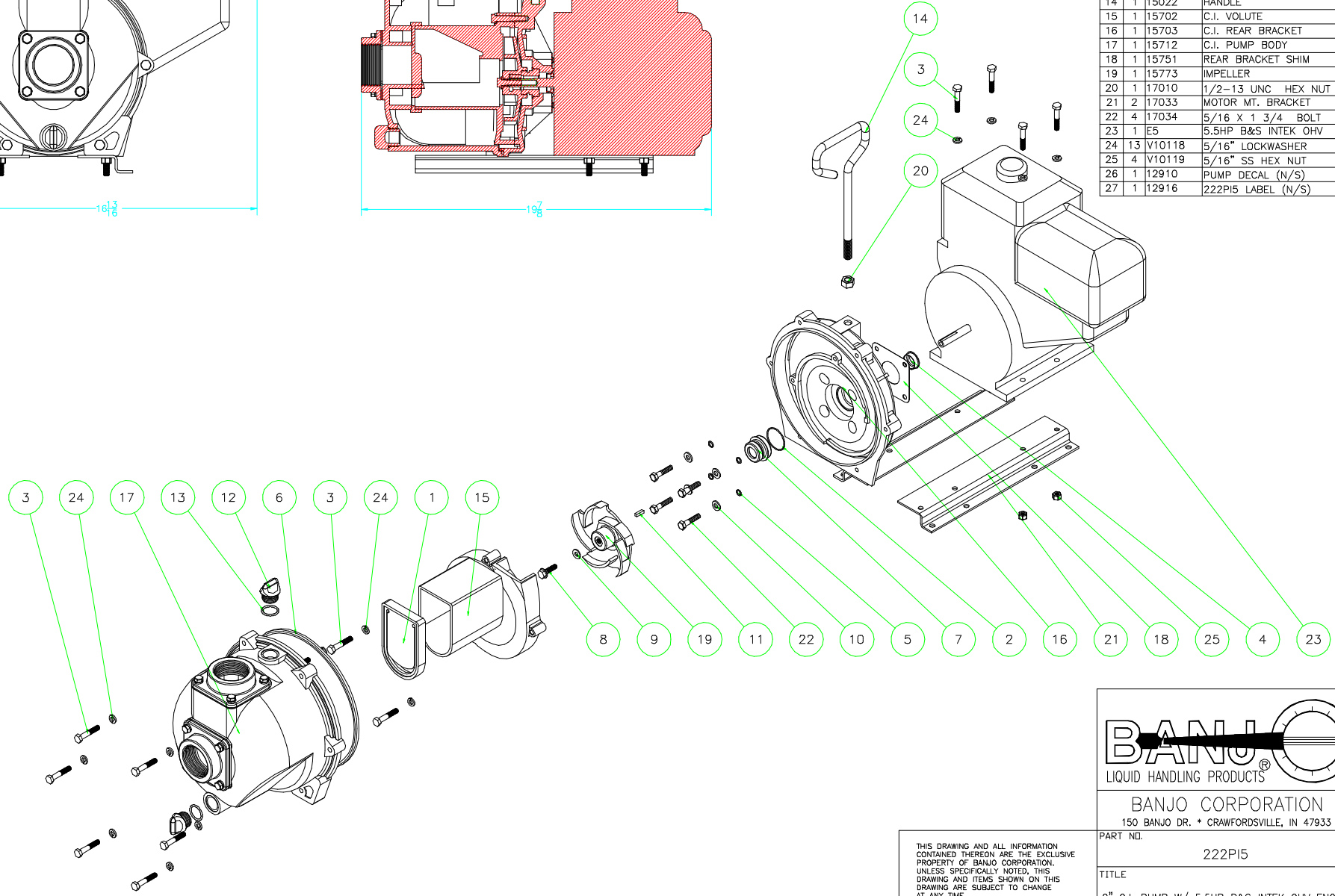


		Parts List	
Item	Qty	PART NO.	DESCRIPTION
1	1	12705	CHECK VALVE
2	1	12710	O'RING FOR SEAL ASSY
3	13	12715A	5/16-24 X 1 3/4 HHCS
4	1	12716	SLINGER
5	4	12717	O'RING FOR SCREW HD
6	1	12719A	PUMP BODY O'RING
7	1	12733V	PUMP SEAL ASSEMBLY
8	1	12765A	5/16-24 X 1 1/8 HFS
9	1	12774VA	IMPELLER BOLT GASKET
10	4	12901	5/16" FLAT WASHER
11	1	12902A	3/16X3/16X5/8 KEY
12	2	13777	3" POLY DRAIN PLUG
13	2	13778	PLUG O'RING
14	1	15022	HANDLE
15	1	15702	C.I. VOLUTE
16	1	15703	C.I. REAR BRACKET
17	1	15712	C.I. PUMP BODY
18	1	15751	REAR BRACKET SHIM
19	1	15773	IMPELLER
20	1	17010	1/2-13 UNC HEX NUT
21	2	17033	MOTOR MT. BRACKET
22	4	17034	5/16 X 1 3/4 BOLT
23	1	E5	5.5HP B&S INTEK OHV
24	13	V10118	5/16" LOCKWASHER
25	4	V10119	5/16" SS HEX NUT
26	1	12910	PUMP DECAL (N/S)
27	1	12916	222PI5 LABEL (N/S)



BANJO CORPORATION
150 BANJO DR. * CRAWFORDSVILLE, IN 47933

PART NO. 222PI5

TITLE 2" C.I. PUMP W/ 5.5HP B&S INTEK OHV ENGINE

THIS DRAWING AND ALL INFORMATION CONTAINED THEREON ARE THE EXCLUSIVE PROPERTY OF BANJO CORPORATION. UNLESS SPECIFICALLY NOTED, THIS DRAWING AND ITEMS SHOWN ON THIS DRAWING ARE SUBJECT TO CHANGE AT ANY TIME.