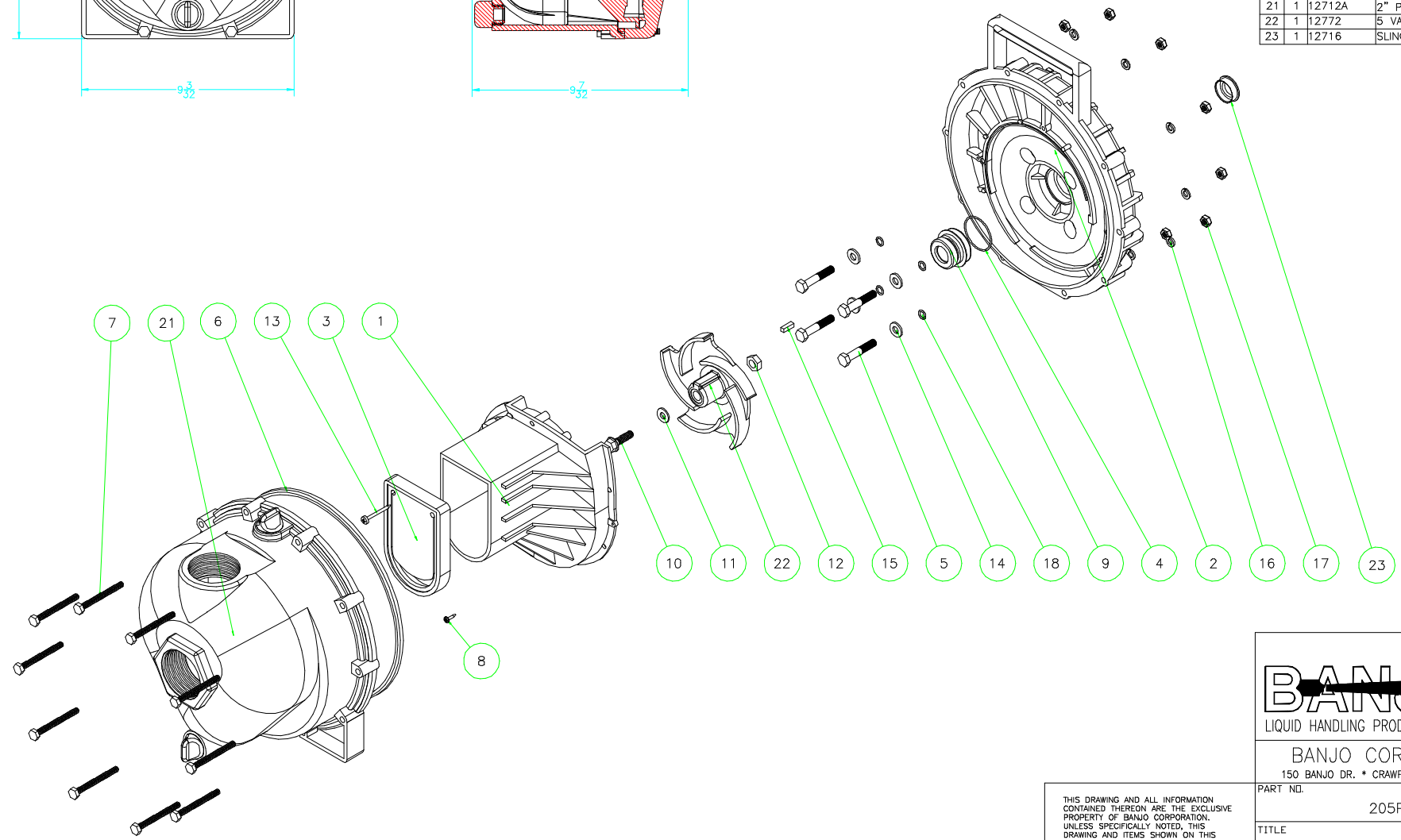



Parts List			
Item	Qty	PART NO.	DESCRIPTION
1	1	12702A	POLY PUMP VOLUTE
2	1	12703A	POLY PUMP REAR BRKT
3	1	12705	CHECK VALVE
4	1	12710	O'RING FOR SEAL ASSY
5	4	12715A	5/16-24 X 1 3/4 HHCS
6	1	12719A	PUMP BODY O'RING
7	10	12720	BODY SCREW
8	2	12725	#6 X 1/2" PPH SMS
9	1	12733	SEAL ASSEMBLY
10	1	12765A	5/16-24 X 1 1/8 HFS
11	1	12774VA	IMPELLER BOLT GASKET
12	1	12775A	7/16-14 HEX NUT
13	1	12900	#10 X 1 1/2" PPH SMS
14	4	12901	5/16" FLAT WASHER
15	1	12902A	5/16X3/16X5/8 KEY
16	10	V07018	1/4" SS LOCKWASHER
17	10	V07019	1/4" SS HEX NUT
18	4	12717	O'RING FOR SCREW HD
19	1	12754	O'RING SEGMENT (N/S)
20	1	12910	DECAL (N/S)
21	1	12712A	2" POLY PUMP BODY
22	1	12772	5 VANE IMPELLER
23	1	12716	SLINGER





**BANJO**  
LIQUID HANDLING PRODUCTS

BANJO CORPORATION  
150 BANJO DR. \* CRAWFORDSVILLE, IN 47933

PART NO.	205PO
TITLE	2" POLY PUMP ONLY W/ 5 VANE IMPELLER

THIS DRAWING AND ALL INFORMATION CONTAINED THEREON ARE THE EXCLUSIVE PROPERTY OF BANJO CORPORATION. UNLESS SPECIFICALLY NOTED, THIS DRAWING AND ITEMS SHOWN ON THIS DRAWING ARE SUBJECT TO CHANGE AT ANY TIME.