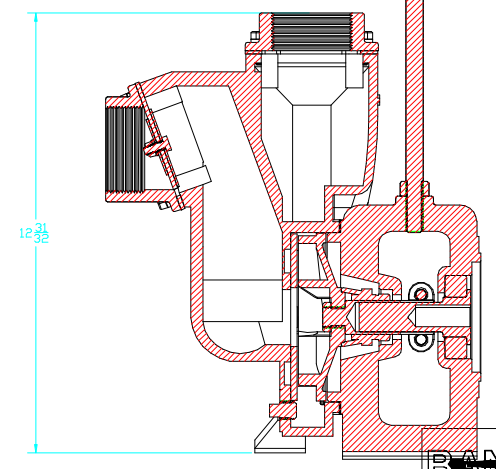
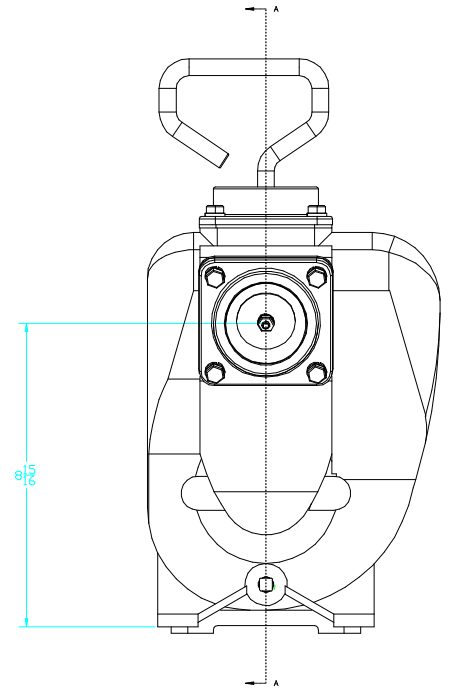
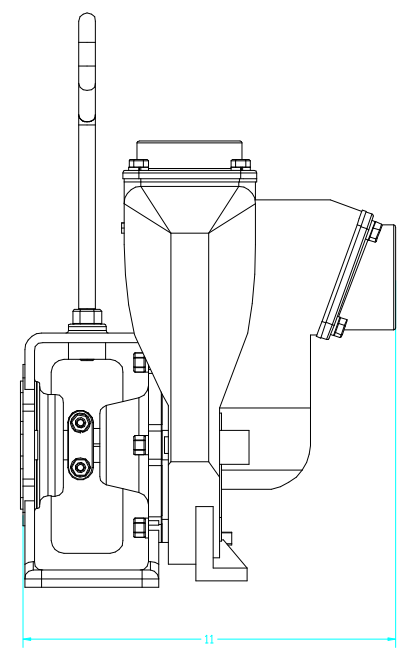


Parts List			
Item Qty	Name	Description	Material
1	17026SS	2" Pump Body	316SS
2	6 17042	Pump Housing Stud	18-8SS
3	1 17011SS	2" Pump Wear Plate	316SS
4	2 17130SS	5/16"-18 x 1.00" FHSCS	316SS
5	1 17008SS	5" Impeller	316SS
6	1 17007SS	7/8" Drive Sleeve	316SS
7	1 17009B	5/8" Impeller Nut	316SS
8	1 17049ASS	2" Stainless Steel Hydraulic Adapter	316SS
9	1 17055A	2" Hydraulic Adapter Shaft	LGS
10	1 17056	SKF 6206-2RS1 Bearing	N/A
11	1 17024	7/8" Clamp, No Key	18-8SS
15	1 17018	2" Pump Body Gasket	Fiber
16	1 17035SS	Mechanical Seal	FKM / 316SS
17	1 17000SS	2" Outlet Flange	316SS
18	1 17002SS	2" Inlet Flange	316SS
19	1 17014	2" Outlet Gasket	FKM
20	1 17017	2" Inlet Gasket / Check	FKM
21	8 17019	5/16"-18 x 1.00" HHCS	18-8SS
22	14 V1011B	5/16" Split Lockwasher	18-8SS
23	1 17032SS	1/4" NPT Plug	316SS
24	6 V10119	5/16"-18 Hex Nut	18-8SS
25	1 15022SS	2" Pump Handle	316SS
26	1 17010	1/2"-13 Hex Jam Nut	18-8SS



DRAWING INFORMATION		PART NO.		TITLE	
REVISED BY	DATE	200PHYSS	200PHYSS	Stainless Steel Pump w/ Hydraulic Motor	
DESIGNED BY	DATE	ETQ	ETQ	DATE: 05/15/03	SCALE: 1"=1"
APPROVED BY	DATE				
DWG NO. 200PHYSS	REV. 0	SHEET: 1 OF 1			