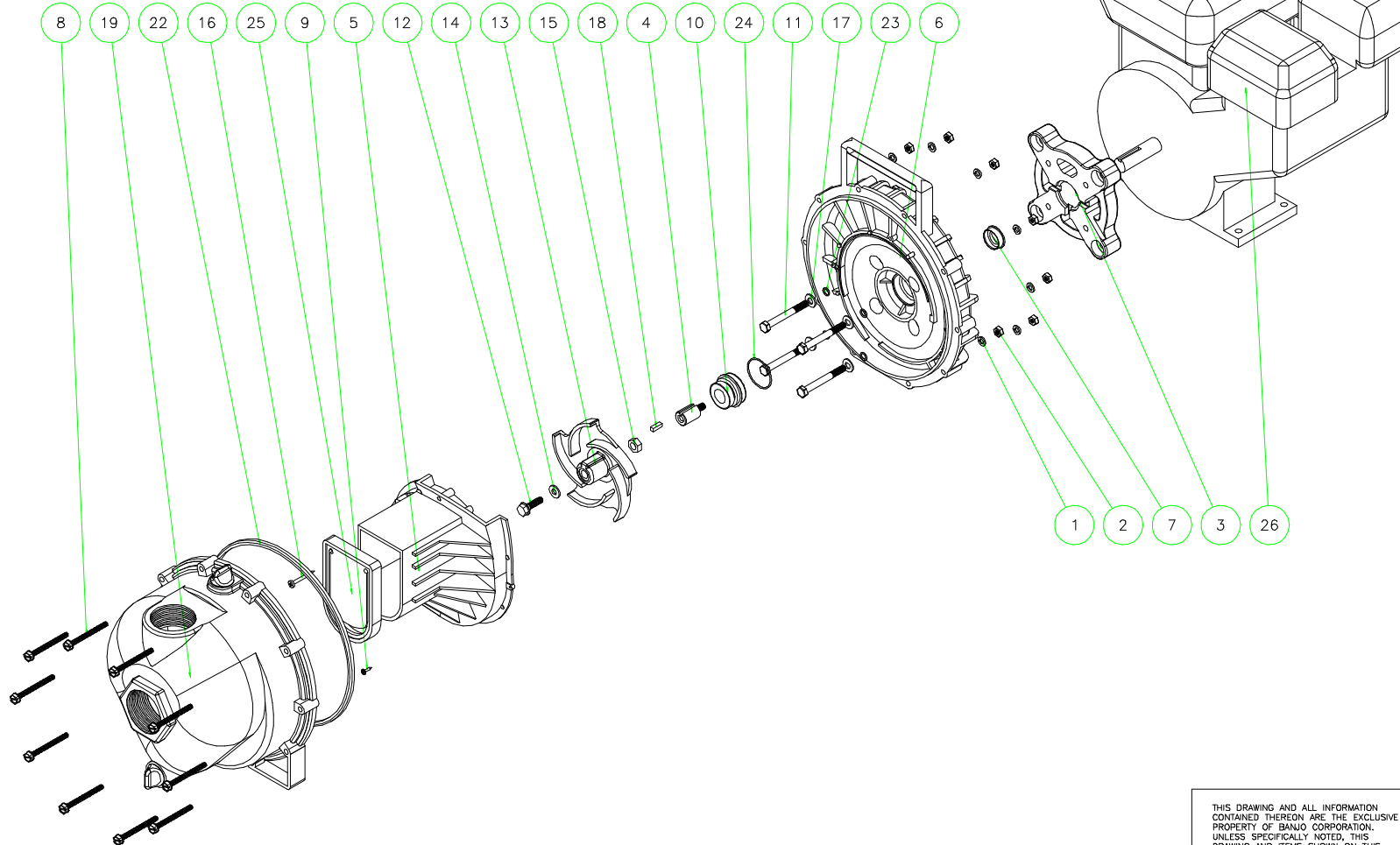


Parts List			
Item	Qty	PART NO.	DESCRIPTION
1	10	V07018	1/4" LOCKWASHER
2	10	V07019	1/4" NUT
3	1	12048	ENGINE SPACER
4	1	12051	1" EXTENSION
5	1	12702A	POLY PUMP VOLUTE
6	1	12703A	POLY PUMP REAR BRKT
7	1	12716	PUMP SLINGER
8	10	12720	BODY SCREW
9	2	12725SS	#8 X 1/2" PPH SMS
10	1	12729VA	CHEM SERVICE SEAL
11	4	12748SS	5/16-24 X 2 3/4 HHCS
12	1	12765A	5/16-24 X 1 1/8 HFS
13	1	12772	5 VANE IMPELLER
14	1	12774VA	IMPELLER BOLT GASKET
15	1	12775A	7/16-14 HEX NUT 5/8"
16	1	12900SS	#10 X 1 1/2 PPH SMS
17	4	12901	5/16" FLAT WASHER
18	1	12902A	3/16X3/16X5/8 KEY
19	1	12712AV	2" POLY PUMP BODY
20	1	12754V	O'RING SEGMENT (N/S)
21	1	12910	DECAL (N/S)
22	1	12719AV	PUMP BODY O'RING
23	4	12717V	O'RING FOR SCREW HD
24	1	12710V	O'RING SEAL ASSEMBLY
25	1	12705V	CHECK VALVE
26	1	E5H	5 HP HONDA ENGINE



BANJO
LIQUID HANDLING PRODUCTS

BANJO CORPORATION
150 BANJO DR. * CRAWFORDSVILLE, IN 47933

PART NO.	200PH5VA
TITLE	2" POLY PUMP W/ 5HP HONDA ENGINE

THIS DRAWING AND ALL INFORMATION CONTAINED THEREON ARE THE EXCLUSIVE PROPERTY OF BANJO CORPORATION. UNLESS SPECIFICALLY NOTED, THIS DRAWING AND ITEMS SHOWN ON THIS DRAWING ARE SUBJECT TO CHANGE AT ANY TIME.