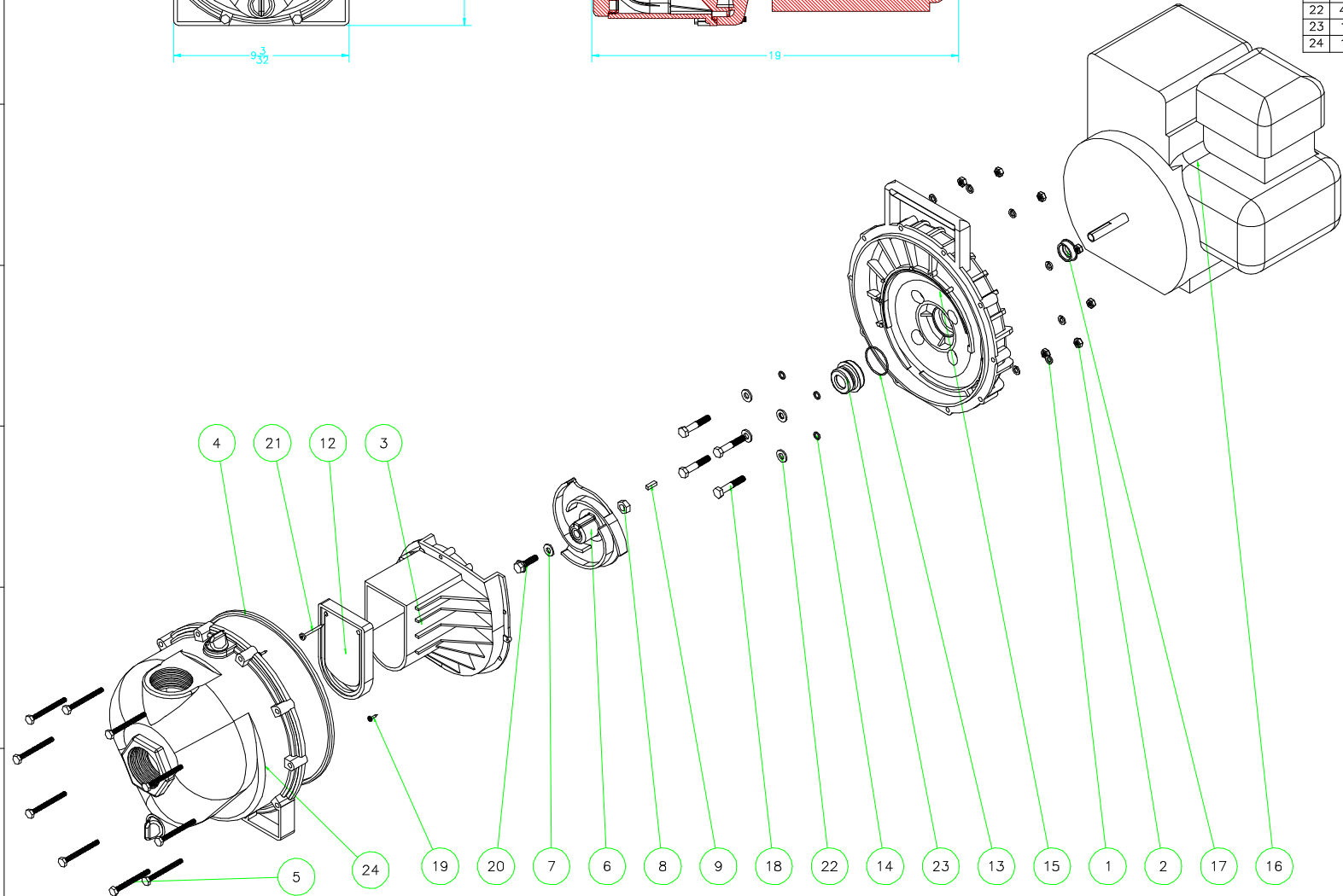


Parts List			
Item	Qty	PART NO.	DESCRIPTION
1	10	V07018	1/4" LOCKWASHER
2	10	V07019	1/4" HEX NUT
3	1	12702A	POLY PUMP VOLUTE
4	1	12719AV	PUMP BODY O'RING
5	10	12720	BODY SCREW
6	1	12771A	3 VANE IMPELLER
7	1	12774VA	IMPELLER BOLT GASKET
8	1	12775A	7/16-14 HEX NUT
9	1	12902A	3/16X3/16X5/8 KEY
10	1	12910	PUMP DECAL (N/S)
11	1	12754V	O'RING SEGMENT(N/S)
12	1	12705V	CHECK VALVE
13	1	12710V	O'RING FOR SEAL ASSY
14	4	12717V	O'RING FOR SCREW HD
15	1	12703A	POLY PUMP REAR BRKT
16	1	E3	3.5HP B&S ENGINE
17	1	12706	SLINGER
18	4	12715A	5/16-24 X 1 3/4 HHCS
19	2	12725	#6 X 1/2" PPH SMS
20	1	12765A	5/16-24 X 1 1/8 HFS
21	1	12900	#10 X 1 1/2 PPH SMS
22	4	12901	5/16" FLAT WASHER
23	1	12733V	POLY PUMP SEAL ASSY
24	1	12712AV	2" PUMP BODY



BANJO CORPORATION
 100 BANJO DR. • OSWATIMOSVILLE, IN 47853
 TITLE: 200P-3-V 1" POLY PUMP W/ 1.5HP B&S ENGINE
 REVISION: 00 - 4/10/10
 DRAWN: MJC DATE: 11/20/03 SCALE: 1"=1"
 CHECKED: JMM DATE: SHEET: 1 OF 1
 APPROVED: [Signature] DATE: REV: 0
 SHEET: 1 OF 1