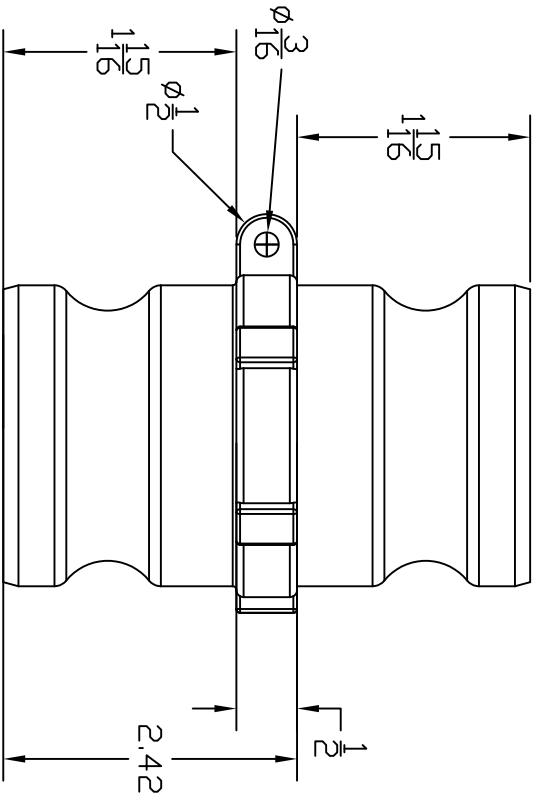
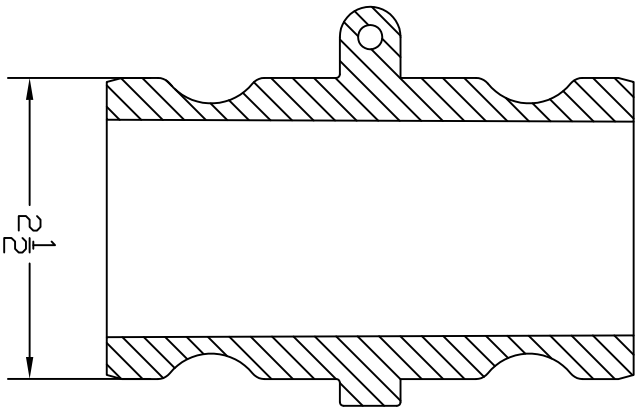



SECTION A-A



THIS DRAWING AND ALL INFORMATION CONTAINED HEREIN ARE THE PROPERTY OF BANJO CORPORATION. NO PARTS, MATERIALS, DIMENSIONS, WEIGHTS, SPECIFICATIONS, OR OTHER DETAILS SHOWN HEREON ARE TO BE REPRODUCED OR TRANSMITTED IN ANY FORM OR BY ANY MEANS, ELECTRONIC OR MECHANICAL, INCLUDING PHOTOCOPYING, RECORDING, OR BY ANY INFORMATION STORAGE AND RETRIEVAL SYSTEM, WITHOUT PERMISSION IN WRITING FROM BANJO CORPORATION. DIMENSIONS AND DRAWING ARE SUBJECT TO CHANGE WITHOUT NOTICE.

	<b>BANJO CORPORATION</b> LIQUID HANDLING PRODUCTS 150 BANJO DR. ■ CHANDLERSVILLE, IN 47933
	PART NO. <b>200FF</b> TITLE <b>2" Male Adapter x Male Adapter</b>