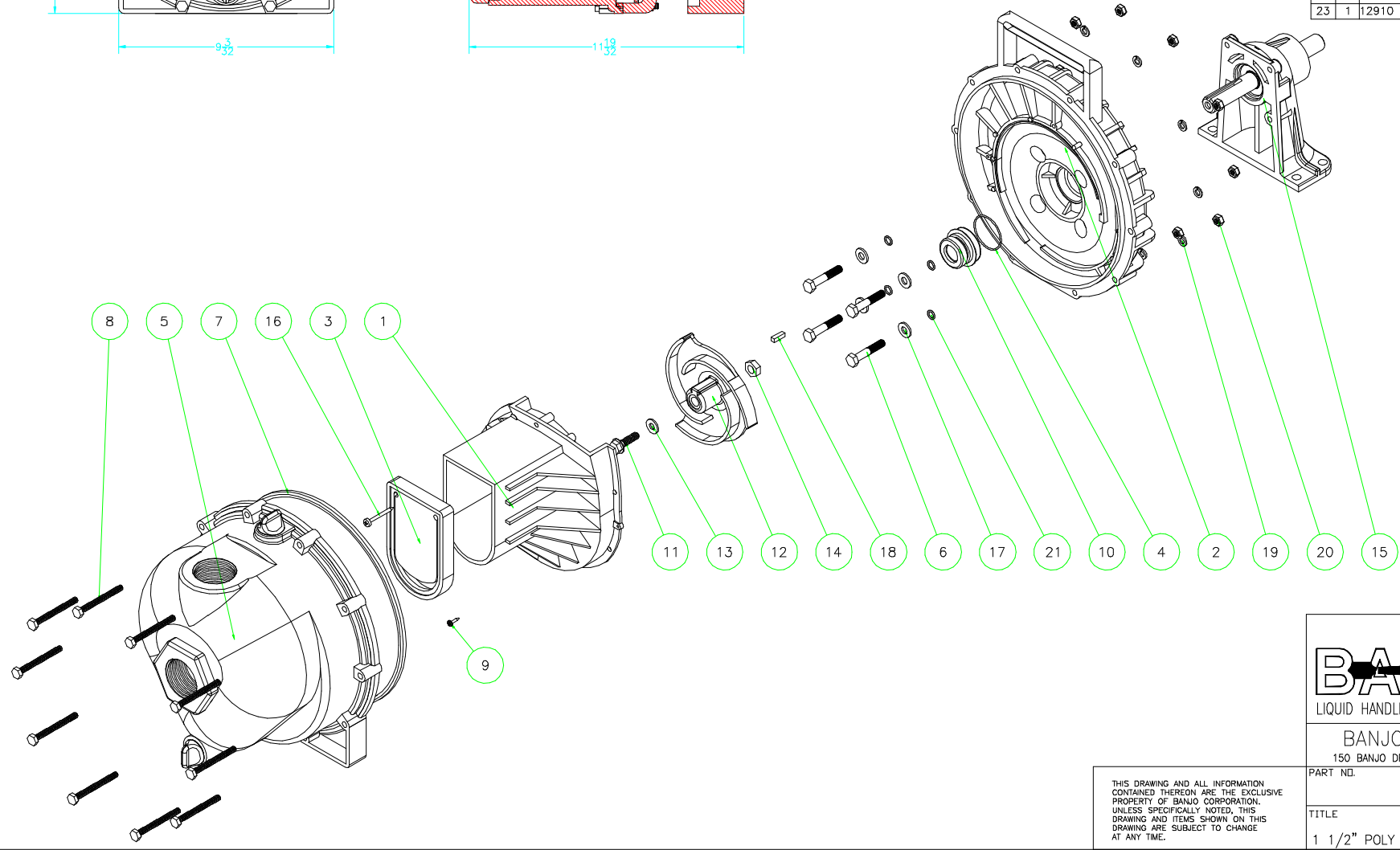



Parts List			
Item	Qty	PART NO.	DESCRIPTION
1	1	12702A	POLY PUMP VOLUTE
2	1	12703A	POLY PUMP REAR BRKT
3	1	12705	CHECK VALVE
4	1	12710	O'RING FOR SEAL ASSY
5	1	12711A	1 1/2" PUMP BODY
6	4	12715A	5/16-24 X 1 3/4 HHCS
7	1	12719A	PUMP BODY O'RING
8	10	12720	BODY SCREW
9	2	12725	#6 X 1/2" PPH SMS
10	1	12733	SEAL ASSEMBLY
11	1	12765A	5/16-24 X 1 1/8 HFS
12	1	12771A	3 VANE IMPELLER
13	1	12774VA	IMPELLER BOLT GASKET
14	1	12775A	7/16-14 HEX NUT
15	1	12882A	BEARING PEDESTAL
16	1	12900	#10 X 1 1/2" PPH SMS
17	4	12901	5/16" FLAT WASHER
18	1	12902A	3/16X3/16X5/8 KEY
19	10	V07018	1/4" SS LOCKWASHER
20	10	V07019	1/4" SS HEX NUT
21	4	12717	O'RING FOR SCREW HD
22	1	12754	O'RING SEGMENT (N/S)
23	1	12910	DECAL (N/S)





**BANJO CORPORATION**  
150 BANJO DR. \* CRAWFORDSVILLE, IN 47933

PART NO.	150PB
TITLE	
1 1/2" POLY PUMP W/ BEARING PEDESTAL	

THIS DRAWING AND ALL INFORMATION CONTAINED THEREON ARE THE EXCLUSIVE PROPERTY OF BANJO CORPORATION. UNLESS SPECIFICALLY NOTED, THIS DRAWING AND ITEMS SHOWN ON THIS DRAWING ARE SUBJECT TO CHANGE AT ANY TIME.