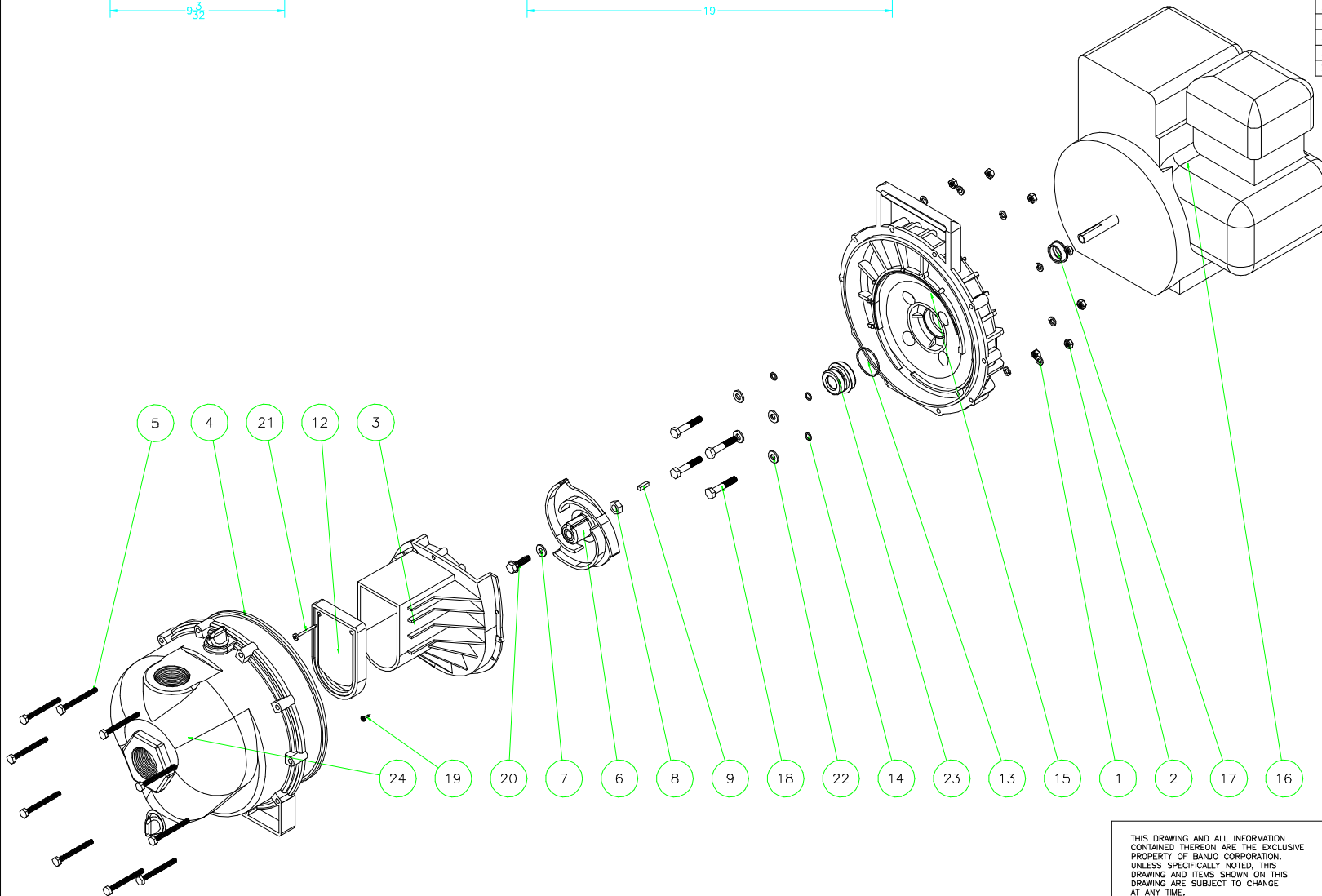



Parts List			
Item	Qty	PART NO.	DESCRIPTION
1	10	V07018	1/4" LOCKWASHER
2	10	V07019	1/4" HEX NUT
3	1	12702A	POLY PUMP VOLUTE
4	1	12719AV	PUMP BODY O'RING
5	10	12720	BODY SCREW
6	1	12771A	3 VANE IMPELLER
7	1	12774VA	IMPELLER BOLT GASKET
8	1	12775A	7/16-14 HEX NUT
9	1	12902A	3/16X3/16X5/8 KEY
10	1	12910	PUMP DECAL (N/S)
11	1	12754V	O'RING SEGMENT(N/S)
12	1	12705V	CHECK VALVE
13	1	12710V	O'RING FOR SEAL ASSY
14	4	12717V	O'RING FOR SCREW HD
15	1	12703A	POLY PUMP REAR BRKT
16	1	E3	3.5HP B&S ENGINE
17	1	12706	SLINGER
18	4	12715A	5/16-24 X 1 3/4 HHCS
19	2	12725	#6 X 1/2" PPH SMS
20	1	12765A	5/16-24 X 1 1/8 HFS
21	1	12900	#10 X 1 1/2 PPH SMS
22	4	12901	5/16" FLAT WASHER
23	1	12733V	POLY PUMP SEAL ASSY
24	1	12711AV	1 1/2" PUMP BODY





BANJO CORPORATION
150 BANJO DR. * CRAWFORDSVILLE, IN 47933

PART NO. 150P-3-V

TITLE
1 1/2" POLY PUMP W/ 3.5HP B&S ENGINE

THIS DRAWING AND ALL INFORMATION CONTAINED THEREON ARE THE EXCLUSIVE PROPERTY OF BANJO CORPORATION. UNLESS SPECIFICALLY NOTED, THIS DRAWING AND ITEMS SHOWN ON THIS DRAWING ARE SUBJECT TO CHANGE AT ANY TIME.